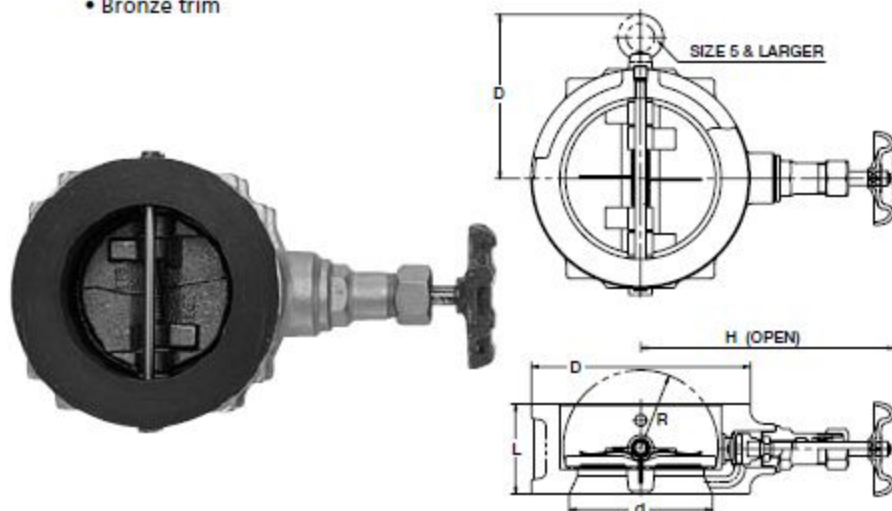


10K**IRON WAFER TYPE CHECK VALVE**

80°C Non-shock water 1.37MPa
 80°C Water, oil, air 0.98MPa

Fig. 10FW

• Bronze trim

**Materials**

Parts	Material	JIS Spec.
Body	Cast Iron	FC200+NBR
Pin	Stainless Steel	SUS304
Stem	Stainless Steel	SUS420J2
Disc	Bronze	CAC406
Plug	Carbon Steel	SWCH10R

Bypass Valve

Parts	Material	JIS Spec.
Bonnet	Ductile Iron	FCD450-15
Stem	Stainless Steel	SUS420J2
Disc	Reinforced PTFE	
Body seat ring	Stainless Steel	SUS403
Gland packing	Asbestos-free	
Gasket	Copper	C1100P

Design Specifications

Items	
Shell wall thickness and general valve design	JIS B2031
Face-to-face dimensions End-to-end dimensions	KITZ Standard
End flange dimensions Gasket contact facing	Wafer Type (JIS 10K)

Dimensions

Valve Size	inch	2	2½	3	4	5	6	8	10	12	14	16	18
	mm	50	65	80	100	125	150	200	250	300	350	400	450
L		54	54	57	64	70	76	95	108	144	184	191	203
H Height (OPEN)		167	173	179	192	205	246	271	297	323	342	370	396
F		—	—	—	—	135	150	177	216	240	284	314	352
D		101	121	131	156	187	217	267	330	375	420	483	538
d		51	64	77	102	127	153	204	254	305	356	407	458
R		31	37	43	55	66	78	104	129	155	176	201	225

mm