

Class 125

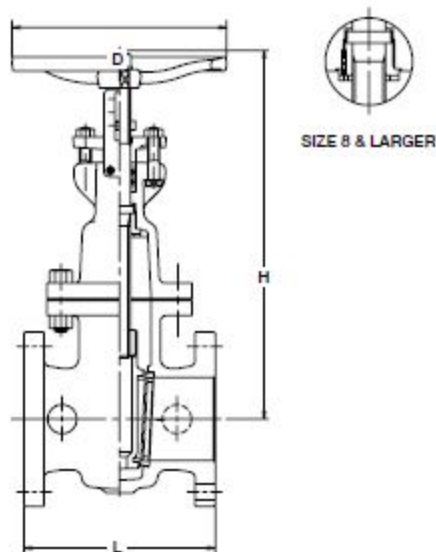
IRON GATE VALVE

Bolted bonnet, inside screw with indicator, non-rising stem.

200psi. Water, oil, gas 65°C
125psi. Saturated steam

Fig. 125FCWI

- Bronze trim



Materials

Parts	Material	ASTM Spec.
Body	Cast Iron	A126 CL. B
Bonnet	Cast Iron	A126 CL. C
Stem	Forged Brass	B124 C37700
Disc	Cast Iron	A126 CL. C
Disc seat ring	Bronze	B62
Gland	Ductile Iron	
Gland packing	Asbestos-free	
Gasket	Asbestos-free	
Gland bolt/nut	Carbon Steel	
Bonnet bolt/nut	Carbon Steel	
Body seat ring	Bronze	B62
Bonnet bushing	Bronze	B62
Hand wheel	Cast Iron	A126 CL. B

Design Specifications

Items	
Shell wall thickness and general valve design	KITZ Standard
Face-to-face dimensions End-to-end dimensions	ASME B16.10 Class 125
End flange dimensions Gasket contact facing	ASME B16.1 Class 125

Dimensions

Valve Size	inch	2	2½	3	4	5	6	8	10	12
	mm	50	65	80	100	125	150	200	250	300
L Face-to-face		178	190	203	229	254	267	292	330	356
H Height		250	285	350	400	465	515	630	760	870
D Handwheel Diameter		140	160	160	180	225	225	300	350	350