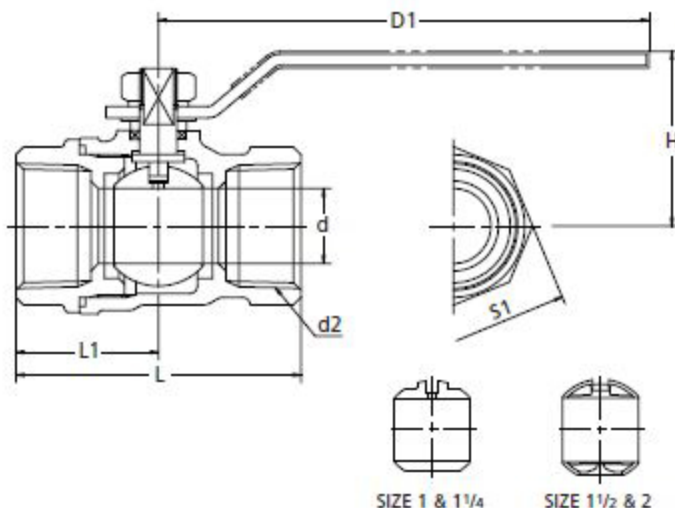


Class 400 Ball Valve Reduced Bore

STZ



E-E dimension : KITZ Std.
End threads : JIS B 0203

W.O.G. at Room temp 2.75MPa
Saturated steam 0.98MPa

● Use for lubricating or hydraulic oil is acceptable.

Materials

Parts	JIS material
Body	FCD-S
Cap	FCD-S
Ball	C3771BE* ¹
Stem	Dezincification Resistant Brass
Gland packing	PTFE
Ball seat	Reinforced PTFE
Gland	C3604BD* ²
Gasket	PTFE
Handle nut	SS 400* ³
Handle	SUS 430* ⁴

*¹ Ni + Cr electroplated

*² Zinc electroplated

*³ Zinc dicromate electroplated

*⁴ Plastic covering

Dimensions

Size	mm								
	mm inch	8	10	15	20	25	32	40	50
L		46	51	57	65	76	86	95	115
H		38	38	42	49	52	57	63	68
D		80	80	100	130	130	130	130	150