

# Class 150/300 Carbon Steel Ball Valves

## Full port, Split body, Side entry design

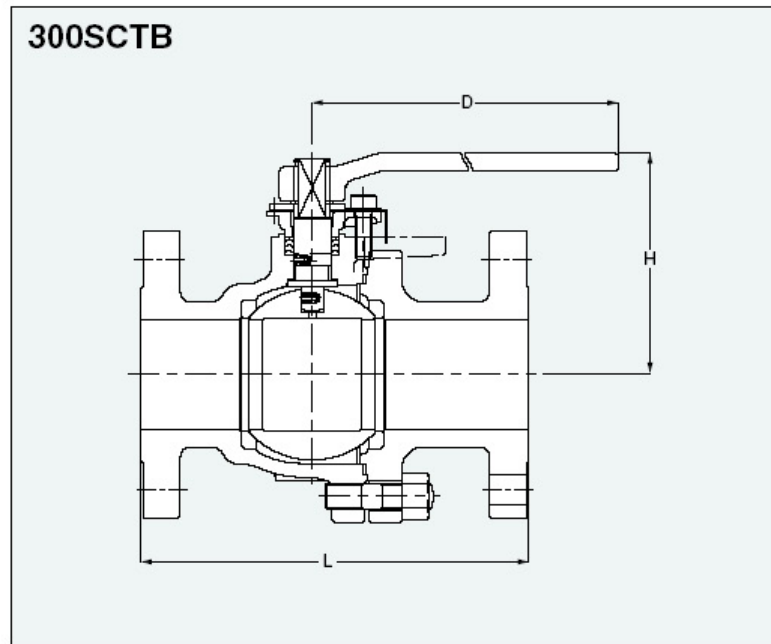
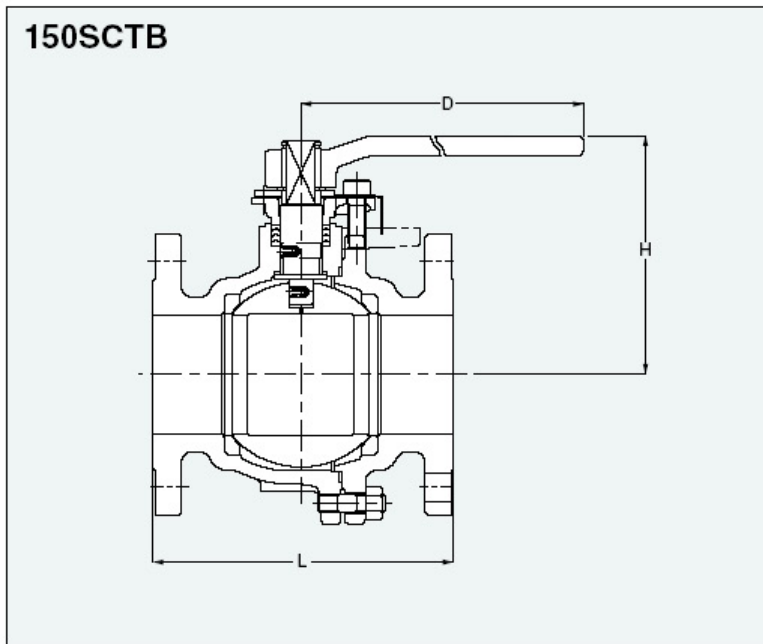
### Features

- Antistatic device
- Blowout-proof stem
- Fire test certification★
- Double "D" stem head
- High performance **HYPATITE® PTFE** ball seats
- Actuator mounting pad to KITZ standard

Page 6 for Pressure-Temperature Ratings

Page 39 for Construction and Materials

Page 36 for Dimension of Actuator Mounting Pad



### Dimensions of 150SCTB

Unit: mm

Valve Size	in.	1/2	3/4	1	1 1/2	2	2 1/2	3	4	5	6	8	10
	mm	15	20	25	40	50	65	80	100	125	150	200	250
Ball Bore		15	20	25	40	50	65	80	100	125	150	200	250
L		108	117	127	165	178	190	203	229	356	394	457	533
H		102	105	124	115	120	155	165	200	220	295	355	Gear operation
D		130	130	160	230	230	400	400	460	460	1000	1500	Gear operation

### Dimensions of 300SCTB

Unit: mm

Valve Size	in.	1/2	3/4	1	1 1/2	2	2 1/2	3	4	6	8
	mm	15	20	25	40	50	65	80	100	150	200
Ball Bore		15	20	25	40	50	65	80	100	150	200
L		140	152	165	190	216	241	283	305	403	502
H		102	105	124	115	120	155	165	240	295	355
D		130	130	160	230	230	400	400	750	1000	1500

### Gear Operation

Unit: mm

Class	150	300	Gear Operator			
			H	D	C	A
Valve Size (inch)	6	6	337	310	165	65.5
	8	8	414	360	210	88.5
	10	—	477	500	363	93.5

### Valve operator

- 1/2"~8": Lever operation
- 6"~8": Optional gear operation
- 10": Standard gear operation

### Test pressure

Shell (Hydrostatic): 3.10MPa (450psi)  
Seat (Air): 0.55MPa (80psi)

### Options

- ★ Flexible graphite packing and gasket (See Page 12)
- Ball and stem to CF8M (316)

### Valve operator

- 1/2"~8": Lever operation
- 6"~8": Optional gear operation

### Test pressure

Shell (Hydrostatic): 7.76MPa (1125psi)  
Seat (Air): 0.55MPa (80psi)

### Options

- ★ Flexible graphite packing and gasket (See Page 12)
- Ball and stem to CF8M (316)

Worm gear operators may be mounted on KITZ ball valves at your option for the smoothest valve operation. Electric or pneumatic actuators are also optionally available. Contact KITZ distributors for appropriate choice and sizing of valve actuators.