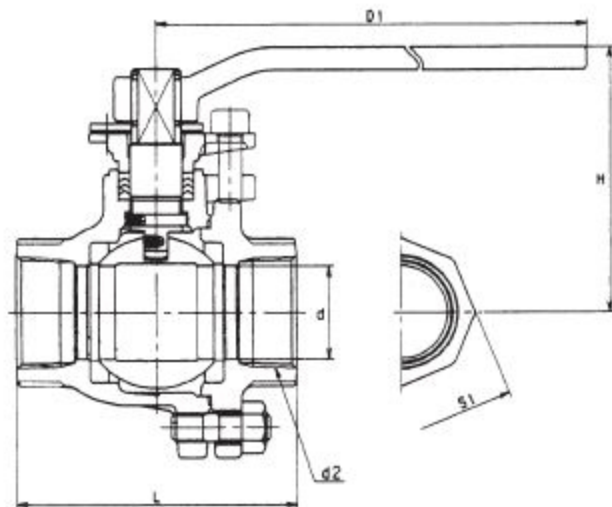


Fig. 10UT



Class JIS10K



Materials

Parts	Materials
Body	SCS13
Cap	SCS13
Stem	SUS 304
Ball	SUS 304
	SCS13
Seat	PTFE

Dimensions

size	inch	3/8	1/2	3/4	1	1 1/4	1 1/2	2	2 1/2	3	mm
	mm	10	15	20	25	32	40	50	65	80	
Ball Bore		10	15	20	25	32	40	50	65	80	
L		62	65	80	90	110	120	140	160	182	
H		71	82	85	94	98	114	121	153	162	
D		130	130	130	160	160	230	230	400	400	