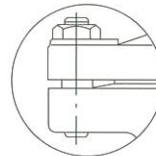
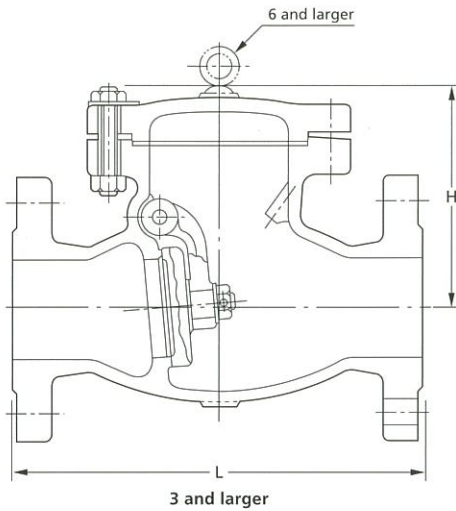


20UOA

20UOAM



3 and smaller



Disc type
2 1/2 and smaller

Materials

Parts	20UPA	20UPAM
Body	SCS13A	SCS14A
Cover	SCS13A	SCS14A
Disc	SCS13A	SCS14A
Gasket	Refer to Page 10	
Disc nut*	SUS304	SUS316
Hinge pin	SUS304	SUS316
Plug	SUS304	SUS316
Arm*	SCS13A	SCS14A
Washer*	SUS316, SUS316L (3-6)	
Cover bolt/nut	SUS304/304	
Split pin	SUS316L	

*Size 3 and larger.

Note: Body seats and/or disc seats can be optionally hard-faced.



Items	
Face-to-Face Dimensions	ASME B16.10
End Flange Dimensions	JIS B2220
Wall Thickness	ASME B16.34 Class 300

Nominal Size		1 1/2	2	2 1/2	3	4	5	6	8	10	12	14	16	18	20	24
		40	50	65	80	100	125	150	200	250	300	350	400	450	500	600
L	in.	9.50	10.50	11.50	12.50	14.00	15.75	17.50	21.00	24.50	28.00	33.00	34.00	38.50	40.00	53.00
	mm	241	267	292	318	356	400	444	533	622	711	838	864	978	1016	1346
H	in.	4.6	5.3	6.3	7.1	7.9	9.1	10.0	11.6	13.2	14.8	17.2	18.9	23.0	23.8	24.8
	mm	117	135	160	180	200	230	255	295	335	375	437	480	585	605	630