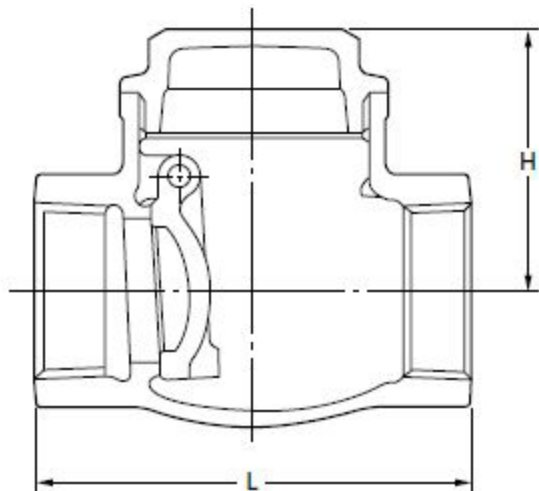


10K

SWING CHECK VALVE

Pressure-Temperature Rating: 1.0MPa: 180°C
200psi. W.O.G.: 350°F S.P.



Parts	UO	UOM
Body	SCS13A	SCS14A
Cap	SCS13A/SUS304	SCS14A/SUS316
Disc	SCS13A	SCS14A
Hinge pin	SUS304	SUS316
Plug	SUS304	SUS316
Gasket (for plug)	Asbestos-free sheet	

Face-to-Face Dimensions: JIS B2011*
 End Thread Dimensions: ASME B1.20.1
 Wall Thickness: KITZ Std.

*KITZ standard for Size 2 1/2 & 3

Unit:mm

Nominal Size	1/2	3/4	1	1 1/4	1 1/2	2	2 1/2	3
L	65	80	90	105	120	140	180	200
H	45	55	61	71	72	81	93	104

UO

UOM