

# GD-38 Series

The GD-38 Series is a bypass equipped water pressure reducing valve for individual water supply to complex housing, and does not require substitute piping.

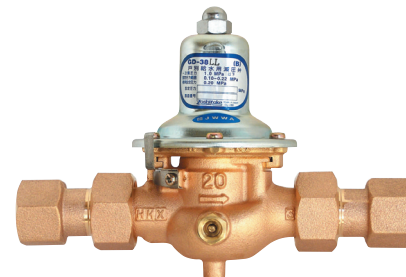
Water washing of piping and water pressure inspection can be performed by turning the spring case with the reducing valve installed. For labor saving and resource saving, no accessory parts required.

## Features

1. Reduced noise. Can be used even late at night.
2. Pressure balance structure can keep the reduced pressure at a constant level without being affected by inlet pressure.
3. Bypass function allows water pressure inspection to be performed easily with the valve installed to significantly shorten a construction work period.
4. Cartridge system is used for the pressure reducing function, making maintenance and inspection easy.
5. Closed structure keeps fluid from flowing to outside even if the diaphragm is damaged or broken.
6. Attached pressure gauge joint allows a pressure gauge to be installed while water is supplied so that the set pressure can be checked easily.



GD-38PP · GD-38VV



GD-38LL



GD-38SP

## Specifications

Nominal size		20A
Application		City water
Inlet pressure		1.0 MPa or less
Reduced pressure		(A) 0.05-0.10 MPa [Standard setting: 0.09 MPa]
		(B) 0.10-0.22 MPa [Standard setting: 0.20 MPa]
		(C) 0.20-0.30 MPa [Standard setting: 0.25 MPa]
Minimum differential pressure		0.05 MPa
Maximum pressure reduction ratio		10:1
Working temperature	Without pipe end core	5-90°C
	Equipped with pipe end core	5-40°C
	Equipped with check valve	5-60°C
Minimum adjustable flow rate		0.5 L/min
Rated flow rate	Without check valve	70 L/min (Differential pressure before and after valve: 0.10 MPa or more)
	Equipped with check valve	30 L/min (Differential pressure before and after valve: 0.10 MPa or more)
Material	Body	Cast bronze (NPb-treated)
	Valve seat	Cast bronze (NPb-treated)
	Spindle	Brass
	Valve disc	EPDM
Diaphragm		EPDM
Pressure check function		Pressure gauge joint (JIS Rc 1/8 screwed)
Outlet withstand pressure		0.36 MPa (at pressure reducing valve function)

- Available with pressure gauge (type A or type D) as an optional extra (for 0.5 MPa).
- The strainer is 60 mesh.
- The accuracy of a pressure gauge is  $\pm 3\%$  F.S.
- The product is set to the "bypass" position when it is delivered from our plant.
- An incombustible material is used for heat insulating material.

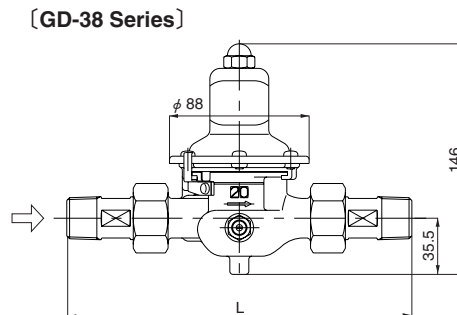


# GD-38 Series

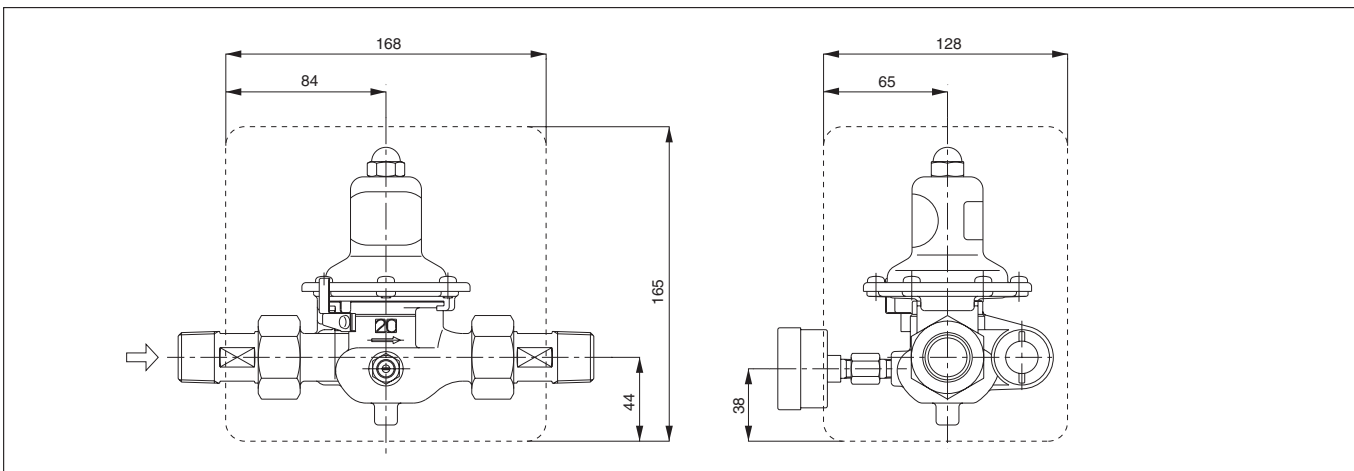
## Pressure Reducing Valve

### Dimensions (mm) and Weights (kg)

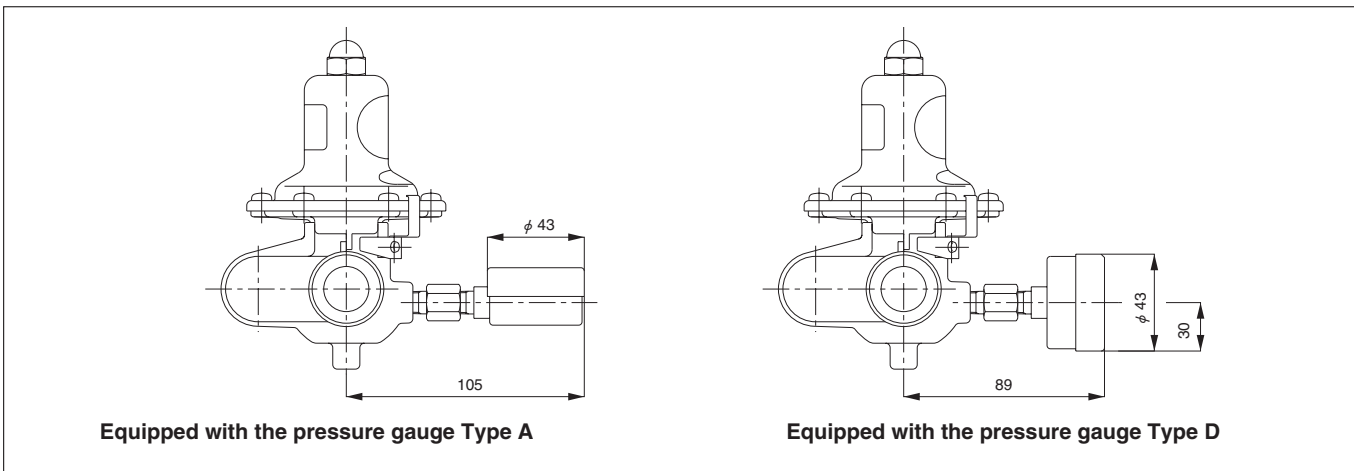
Model	Connection	L	Weight
	Inlet x outlet		
GD-38	G 1 x G 1	—	1.4
GD-38VV•38VVC•38PP•38PPC	R 3/4 x R 3/4	218	1.8
GD-38KK•38KVC•38LL•38LLC	Rc 3/4 x Rc 3/4	214	1.9
GD-38VK•38VVC•38VL•38VLC	R 3/4 x Rc 3/4	216	1.8
GD-38PK•38PKC•38PL•38PLC	R 3/4 x Rc 3/4	216	1.8
GD-38KV•38KVC•38LV•38LVC	Rc 3/4 x R 3/4	216	1.8
GD-38KP•38KPC•38LP•38LPC	Rc 3/4 x R 3/4	216	1.8
GD-38VG•38PG	R 3/4 x G 1	165	1.6
GD-38GV•38GVC•38GP•38GPC	G 1 x R 3/4	165	1.6
GD-38KG•38LG	Rc 3/4 x G 1	163	1.6
GD-38GK•38GKC•38GL•38GLC	G 1 x Rc 3/4	163	1.6
GD-38SG	Rc 3/4 x G 1	193.5	1.8
GD-38SP•38SPC•38SV•38SVC	Rc 3/4 x R 3/4	246.5	2.0
GD-38SL•38SLC•38SK•38SKC	Rc 3/4 x Rc 3/4	244.5	2.0



### Dimensions of the Heat Insulating Material



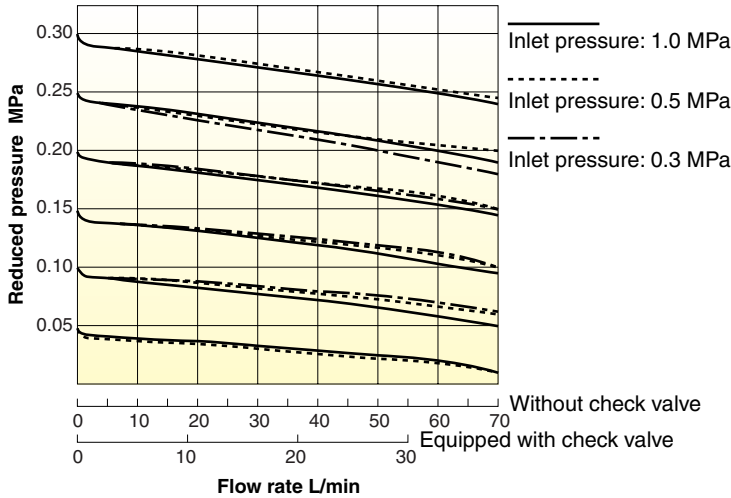
### Dimensions of the Valve Equipped with the Optional Pressure Gauge



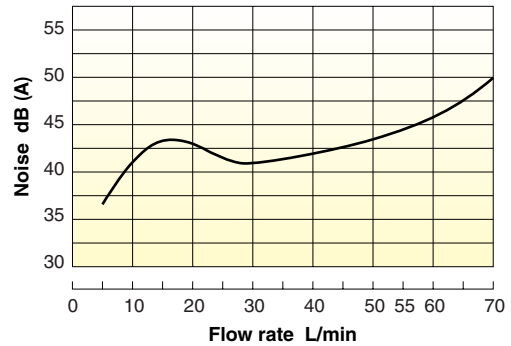
Equipped with the pressure gauge Type A

Equipped with the pressure gauge Type D

### Flow Characteristic Chart

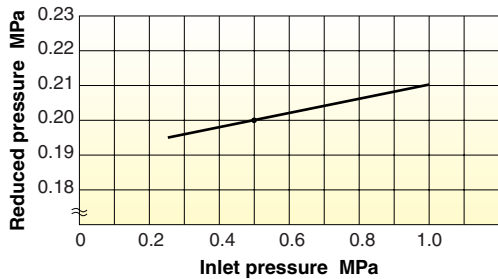


### Noise Characteristic Chart



- Inlet pressure: 0.6 MPa
- Reduced pressure: 0.2 MPa
- Distance from the sample valve to the microphone: 15 cm
- Background noise: 30 dB (A)

### Pressure Characteristic Chart



- This chart shows variation in reduced pressure when the inlet pressure of 0.5 MPa is changed between 0.25 MPa and 1.0 MPa while the reduced pressure is set at 0.2 MPa.

### How to Adjust the Pressure

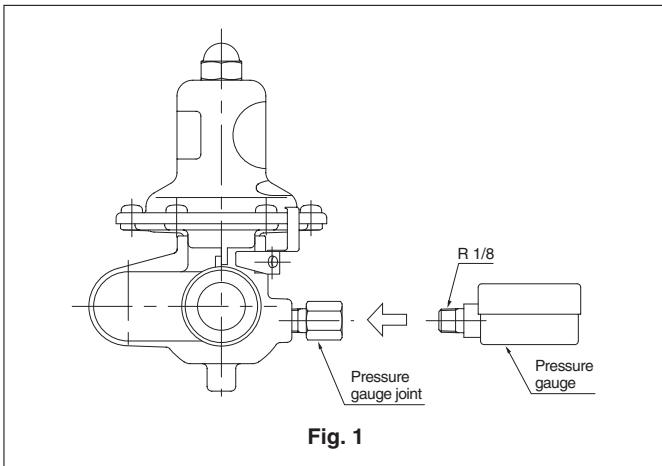


Fig. 1

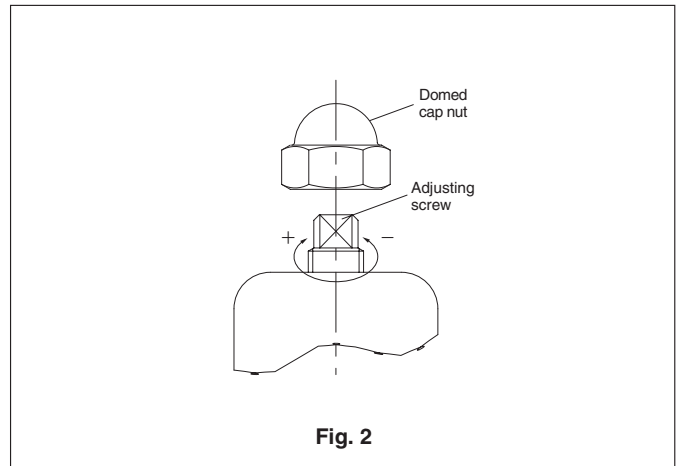
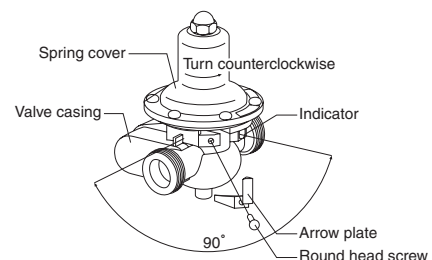


Fig. 2

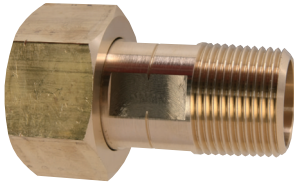
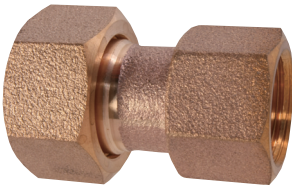
1. Screw the pressure gauge into the pressure gauge joint (Fig. 1).
2. Remove the domed cap nut. Checking the pressure gauge, turn the adjusting screw to adjust the reduced pressure to a desired level (Fig. 2).
  - The reduced pressure increases when the adjusting screw is turned clockwise.
  - The reduced pressure decreases when the adjusting screw is turned counterclockwise.
3. After reduced pressure adjustment, attach the domed cap nut.
4. Remove the pressure gauge.

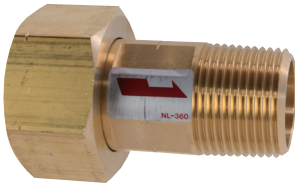
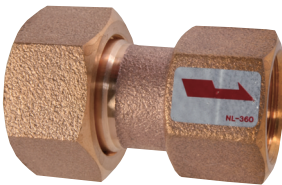
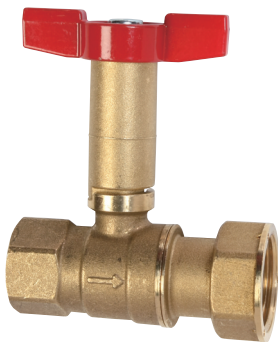
#### ● How to remove the pressure reducing cartridge

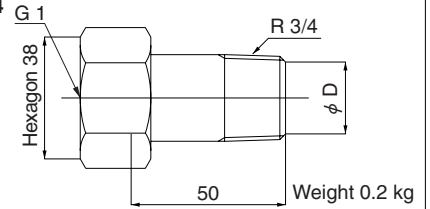
1. Close the inlet-side stop valve. Open the faucet at the end to completely release internal pressure.
2. Remove the round head screw and the arrow plate.
3. Turn the spring cover 90° counterclockwise.
4. Remove the pressure reducing cartridge by pulling the spring cover upward.



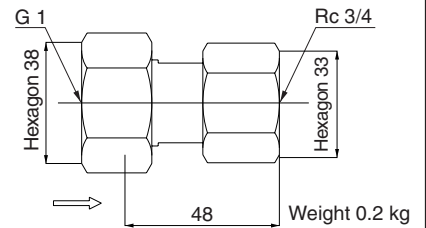
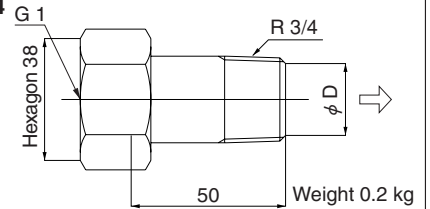
**Joints and Water Stop Valves Used for GD-46·38 Series Valves**
**● Standard type**

 JO-36UP  
 JO-36UV

 JO-36UL  
 JO-36UK

**● Check valve incorporated type**

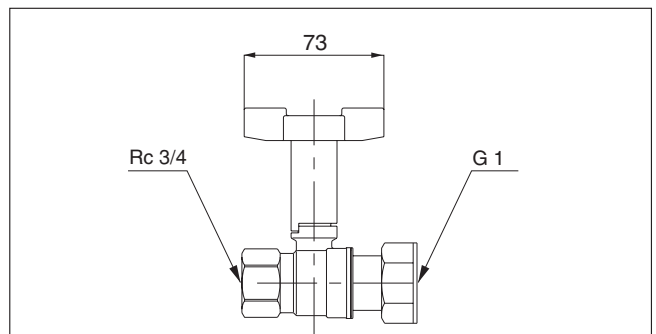
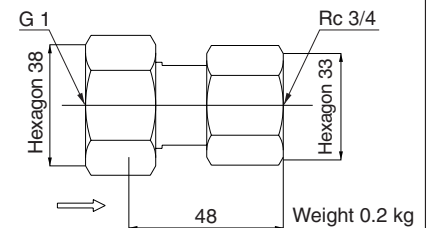
 CV-36UP  
 CV-36UV

 CV-36UL  
 CV-36UK

**● Water stop valve**

**● Dimensions and weights**

 JO-36UV:  $\phi D = 18.6$   
 JO-36UP:  $\phi D = 20.4$ 


JO-36UK·JO-36UL


 CV-36UV:  $\phi D = 18.6$   
 CV-36UP:  $\phi D = 20.4$ 


CV-36UK·CV-36UL



• Available with pipe end core.