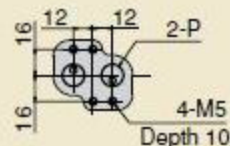
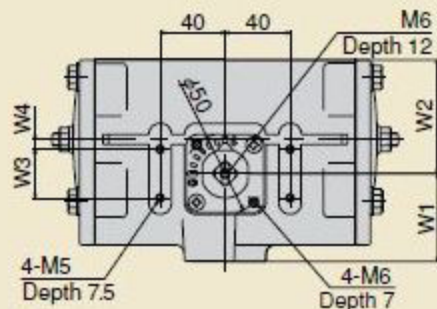
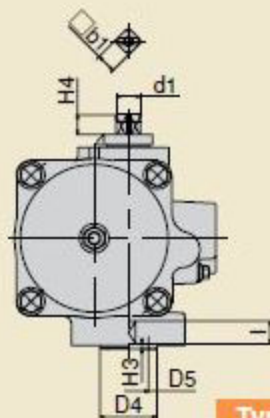


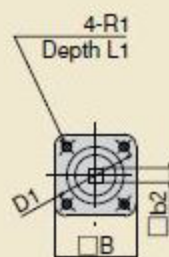
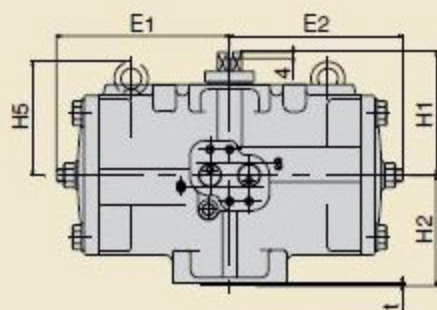
Double action (Type FA)



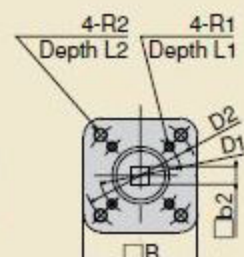
Type FA-6



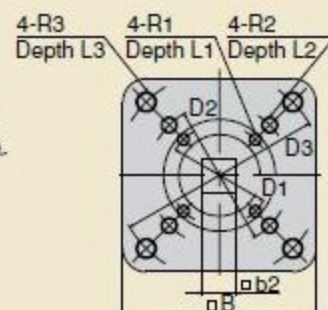
Type FA



Type FA-1



Type FA-2,3



Type FA-4,5,6

unit:mm

Type	E1	E2	W1	W2	W3	W4	H1	H2	H3	H4	H5	D1	D2	D3	D4	D5	d1	b1	b2	B	ℓ	t	R1×L1	R2×L2	R3×L3	P	Weight (kg)
FA-1	87	87	50	54	30	0	70	55	3	12	—	50	—	—	35	25	15	12	9	50	16	2	M6×9	—	—	Rc¼	1.7
FA-2	107	107	54	70	30	6	80	68	3	12	—	50	70	—	35	30	15	12	11	70	16	2	M6×9	M8×12	—	Rc¼	2.9
FA-3	128	128	57	87	30	13	86	78	3	12	—	50	70	—	35	32	21	17	13	70	25	2	M6×9	M8×12	—	Rc¼	4.4
FA-4	160	160	68	111	30	21	108	96	4	12	—	50	70	102	55	40	21	17	17	95	27	3	M6×9	M8×12	M10×15	Rc¼	8.0
FA-5	208	208	78	135	30	30	132	116	5	20	—	70	102	125	55	50	29	23	27	113	34	3	M8×12	M10×15	M12×18	Rc¼	13.6
FA-6	268	268	101	178	30	45	152	125	5	20	160	70	102	125	70	60	41	32	27	134	34	3	M8×12	M10×15	M12×18	Rc¼	28.2