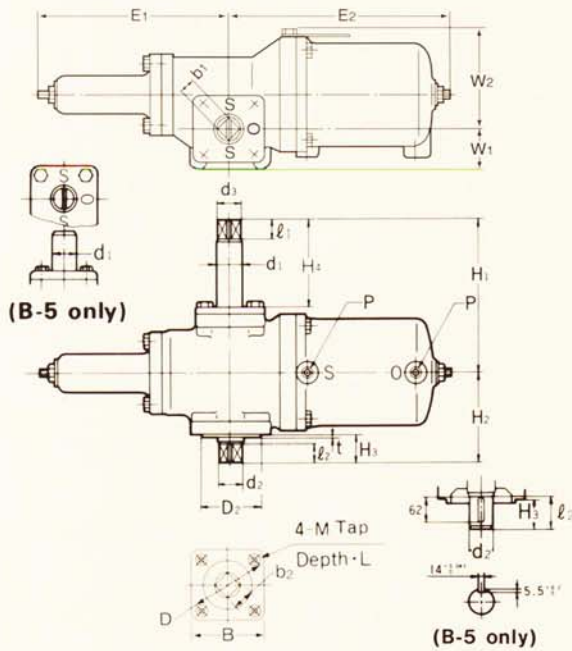


Specifications and Dimensions

Operating media	: Compressed instrumentation air
Standard operating pressure	: 0.39MPa (4kgf/cm ² or 60 psi) ; factory preset pressure
Pressure supply range	: 0.29MPa (3kgf/cm ² or 60 psi) to 0.69MPa (7kgf/cm ² or 100 psi)
Output torque	: Refer to Page 3
Standard durability	: 100,000 cycles under moderate service conditions
Housing test pressure	: 0.97MPa (9.9kgf/cm ² or 140 psi)
Drive shaft rotation	: 100° (when the stopper is fully relaxed)
Rotation adjustment range	: 5° at each end
Service temperature range	: standard: -20 C to +60 C (-4 F to +140 F) option: -40 C to +60 C (-40 F to +140 F)

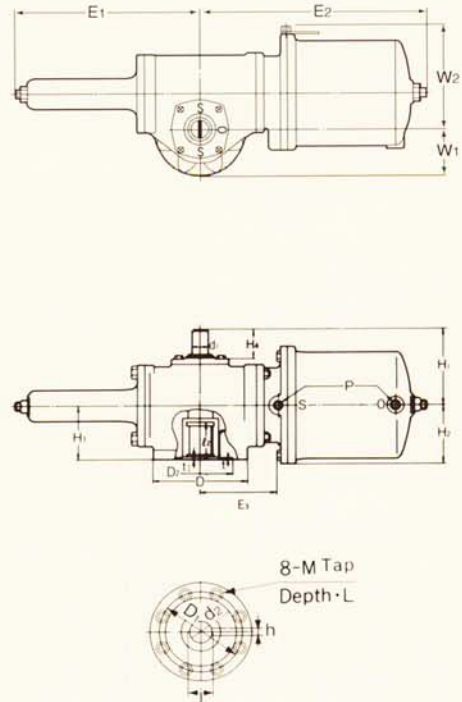
Type B (Double-Action)

Types B-0 to B-5



1. The operating lever cannot be mounted on the drive shaft of Type B-5 and B-6 actuators.
2. Type B-0 actuator is not provided with the cast-out O-S indication on the cylinder.

Types B-6



Type B Actuator Dimensions

mm

Type	E ₁	E ₂	E ₃	W ₁	W ₂	W ₃	W ₄	H ₁	H ₂	H ₃	H ₄	H ₅	H ₆	D	D ₁	D ₂	d ₁	d ₂	b ₁	b ₂	B	ℓ ₁	ℓ ₂	t	t ₁	P	L	M	h	J
B-0	89	108	-	25	54	70	53	18	35	-	50	35	12	15	12	10	12	50	10	12	2	-	Rc 1/8	9	M6	-	-			
B-1	128	154	-	25	81	135	60	18	89	-	50	35	16	15	15	12	12	50	12	12	2	-	Rc 1/4	9	M6	-	-			
B-2	177	205	-	35	89	148	77	23	94	-	70	55	22	21	21	17	17	70	17	17	2	-	Rc 1/4	12	M8	-	-			
B-3	235	272	-	48	116	175	104	32	99	-	102	70	30	28.5	28.5	23	23	95	23	23	3	-	Rc 1/4	15	M10	-	-			
B-4	284	328	-	57	149	225	138	43	122	-	125	85	45	41	41	32	32	114	32	32	3	-	Rc 1/4	19	M12	-	-			
B-5	367	423	-	81	203	220	167	34	86	-	165	130	45	46	-	-	-	162	63	63	3	-	Rc 1/2	32	M20	-	-			
B-6	527	631	212	130	267	203	158	144	77	260	220	180	45	60	-	-	-	-	-	-	99	4	5	Rc 1/2	26	M16	18	64.4		

Type BS Actuator Dimensions

mm

Type	E ₁	E ₂	E ₃	E ₄	W ₁	W ₂	W ₃	W ₄	H ₁	H ₂	H ₃	H ₄	H ₅	H ₆	D	D ₁	D ₂	d ₁	d ₂	b	B	ℓ	t	t ₁	M	L	h	j	P ₁	P ₂
BS-0	163	124	-	-	40	62	-	38	70	53	18	35	41	33	-	50	35	12	15	12	50	12	2	-	M6	9	-	-	Rc 1/8	Rc 1/8
BS-1	239	161	-	-	30	81	47	38	135	60	18	89	52	46	-	50	35	16	15	12	50	12	2	-	M6	9	-	-	Rc 1/4	Rc 1/8
BS-2	335	210	-	-	38	106	62	56	148	77	23	94	68	54	-	70	55	22	21	17	70	17	2	-	M8	12	-	-	Rc 1/4	Rc 1/8
BS-3	451	276	-	-	52	140	80	78	175	104	32	99	92	73	-	102	70	30	28.5	23	95	23	3	-	M10	15	-	-	Rc 1/4	Rc 1/4
BS-4	575	351	-	-	81	188	100	91	225	138	43	122	130	99	-	125	85	45	41	32	114	32	3	-	M12	19	-	-	Rc 1/2	Rc 1/4
BS-5	745	446	-	-	117	256	128	114	220	167	34	86	182	139	-	165	130	45	46	-	162	63	3	-	M20	32	-	-	Rc 1/2	Rc 1/4
BS-6	931	638	180	169	130	326	-	-	203	217	144	77	184	-	260	220	180	45	60	-	-	99	4	5	M16	26	18	64.4	Rc 1/2	Rc 1/2