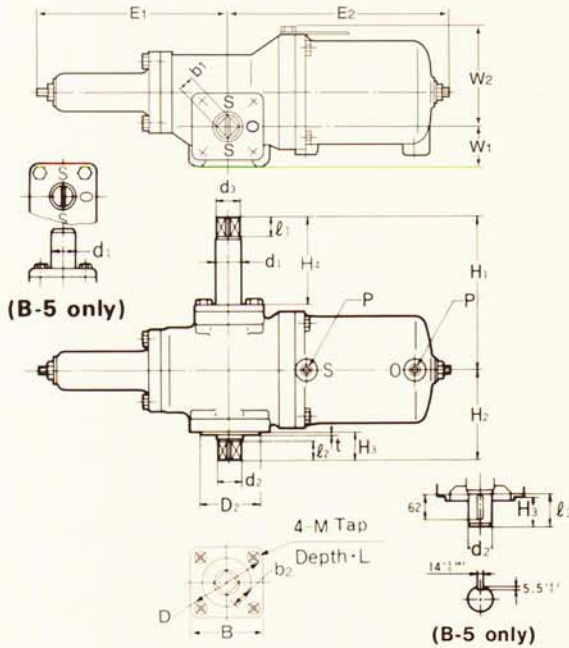


# Specifications and Dimensions

Operating media	: Compressed instrumentation air
Standard operating pressure	: 0.39MPa (4kgf/cm <sup>2</sup> or 60 psi) ; factory preset pressure
Pressure supply range	: 0.29MPa (3kgf/cm <sup>2</sup> or 60 psi) to 0.69MPa (7kgf/cm <sup>2</sup> or 100 psi)
Output torque	: Refer to Page 3
Standard durability	: 100,000 cycles under moderate service conditions
Housing test pressure	: 0.97MPa (9.9kgf/cm <sup>2</sup> or 140 psi)
Drive shaft rotation	: 100° (when the stopper is fully relaxed)
Rotation adjustment range	: 5° at each end
Service temperature range	: standard: -20°C to +60°C (-4°F to +140°F) option: -40°C to +60°C (-40°F to +140°F)

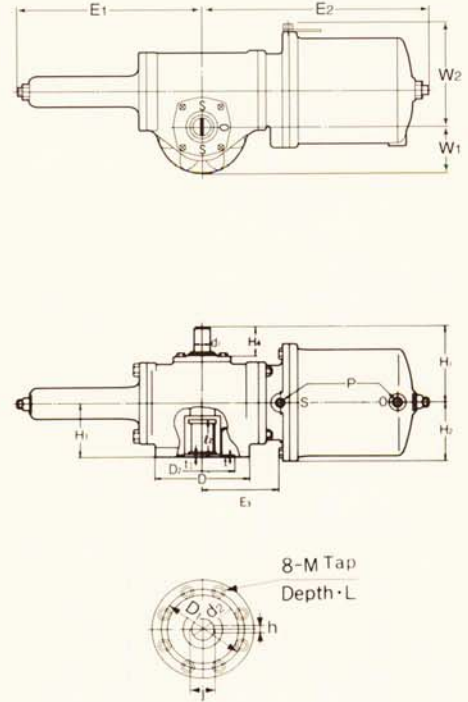
## Type B (Double-Action)

### Types B-0 to B-5



1. The operating lever cannot be mounted on the drive shaft of Type B-5 and B-6 actuators.
2. Type B-0 actuator is not provided with the cast-out O-S indication on the cylinder.

### Types B-6



## Type B Actuator Dimensions

mm

Type	E <sub>1</sub>	E <sub>2</sub>	E <sub>3</sub>	W <sub>1</sub>	W <sub>2</sub>	W <sub>3</sub>	W <sub>4</sub>	H <sub>1</sub>	H <sub>2</sub>	H <sub>3</sub>	H <sub>4</sub>	H <sub>5</sub>	H <sub>6</sub>	D	D <sub>1</sub>	D <sub>2</sub>	d <sub>1</sub>	d <sub>2</sub>	d <sub>3</sub>	b <sub>1</sub>	b <sub>2</sub>	B	ℓ <sub>1</sub>	ℓ <sub>2</sub>	t	t <sub>1</sub>	P	L	M	h	J	
B-0	89	108	-	25	54	70	53	18	35	-	50	35	12	15	12	10	12	50	10	12	2	-	Rc 1/8	9	M6	-	-	-	-	-	-	-
B-1	128	154	-	25	81	135	60	18	89	-	50	35	16	15	15	12	12	50	12	12	2	-	Rc 1/4	9	M6	-	-	-	-	-	-	
B-2	177	205	-	35	89	148	77	23	94	-	70	55	22	21	21	17	17	70	17	17	2	-	Rc 1/4	12	M8	-	-	-	-	-	-	
B-3	235	272	-	48	116	175	104	32	99	-	102	70	30	28.5	28.5	23	23	95	23	23	3	-	Rc 1/4	15	M10	-	-	-	-	-	-	
B-4	284	328	-	57	149	225	138	43	122	-	125	85	45	41	41	32	32	114	32	32	3	-	Rc 1/4	19	M12	-	-	-	-	-	-	
B-5	367	423	-	81	203	220	167	34	86	-	165	130	45	46	-	-	-	162	63	63	3	-	Rc 1/2	32	M20	-	-	-	-	-	-	
B-6	527	631	212	130	267	203	158	144	77	260	220	180	45	60	-	-	-	-	-	-	-	-	99	4	5	Rc 1/2	26	M16	18	64.4	-	

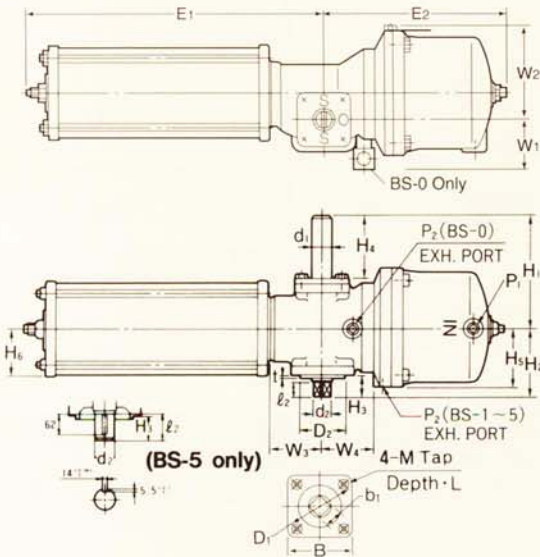
## Type BS Actuator Dimensions

mm

Type	E	E <sub>1</sub>	E <sub>2</sub>	E <sub>3</sub>	W	W <sub>1</sub>	W <sub>2</sub>	W <sub>3</sub>	W <sub>4</sub>	H <sub>1</sub>	H <sub>2</sub>	H <sub>3</sub>	H <sub>4</sub>	H <sub>5</sub>	H <sub>6</sub>	D	D <sub>1</sub>	D <sub>2</sub>	d <sub>1</sub>	d <sub>2</sub>	b	B	ℓ	t	t <sub>1</sub>	M	L	h	j	P <sub>1</sub>	P <sub>2</sub>
BS-0	163	124	-	-	40	62	-	38	70	53	18	35	41	33	-	50	35	12	15	12	50	12	2	-	M6	9	-	-	-	Rc 1/8	Rc 1/8
BS-1	239	161	-	-	30	81	47	38	135	60	18	89	52	46	-	50	35	16	15	12	50	12	2	-	M6	9	-	-	-	Rc 1/4	Rc 1/8
BS-2	335	210	-	-	38	106	62	56	148	77	23	94	68	54	-	70	55	22	21	17	70	17	2	-	M8	12	-	-	-	Rc 1/4	Rc 1/8
BS-3	451	276	-	-	52	140	80	78	175	104	32	99	92	73	-	102	70	30	28.5	23	95	23	3	-	M10	15	-	-	-	Rc 1/4	Rc 1/4
BS-4	575	351	-	-	81	188	100	91	225	138	43	122	130	99	-	125	85	45	41	32	114	32	3	-	M12	19	-	-	-	Rc 1/2	Rc 1/4
BS-5	745	446	-	-	117	256	128	114	220	167	34	86	182	139	-	165	130	45	46	-	162	63	3	-	M20	32	-	-	-	Rc 1/2	Rc 1/4
BS-6	931	638	180	169	130	326	-	-	203	217	144	77	184	-	260	220	180	45	60	-	-	99	4	5	M16	26	18	64.4	Rc 1/2	Rc 1/2	

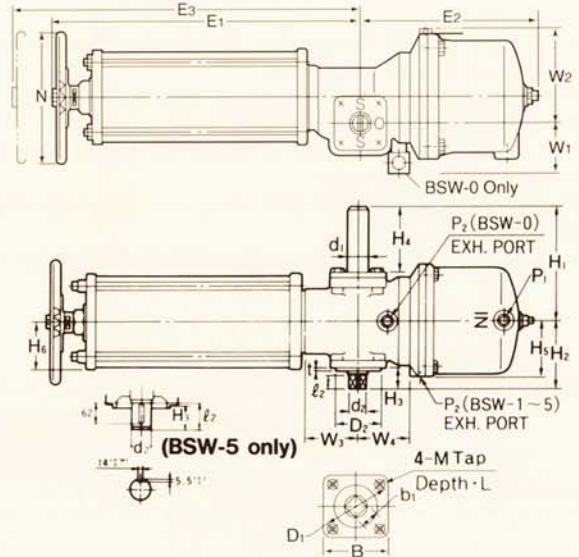
## Type BS (Spring-Return)

### Type BS-0 to BS-5

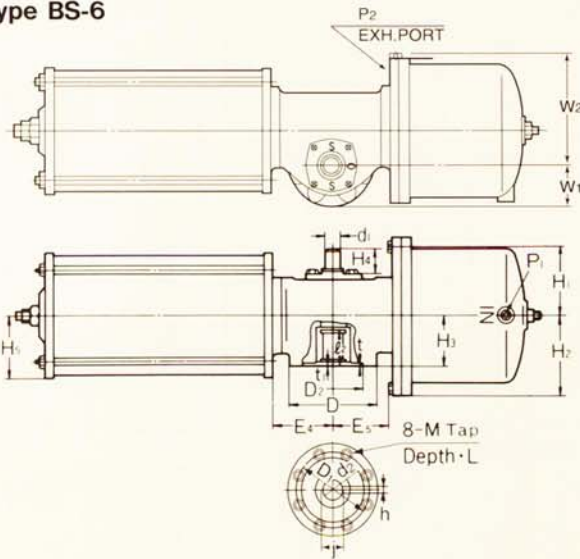


## Type BSW (Spring-Return with Manual Operation Device)

### Type BSW-0 to BSW-5

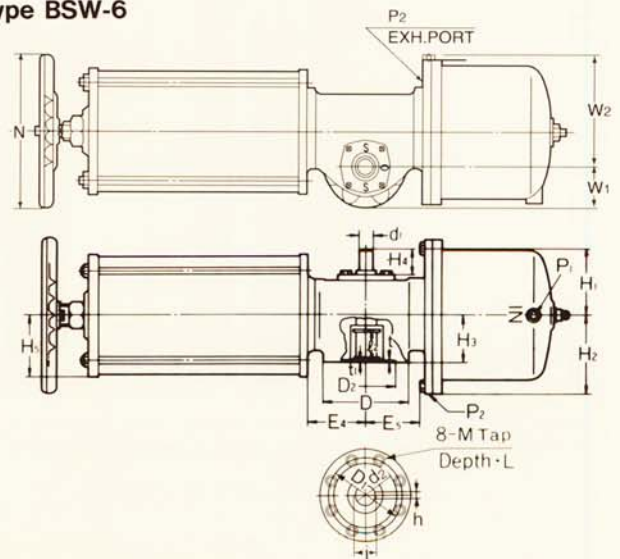


### Type BS-6



● Type BS-0 actuator is not provided with the cast-out O-S indication on the cylinder.

### Type BSW-6



● Type BSW-0 actuator is not provided with the cast-out O-S indication on the cylinder.

## Type BSW Actuator Dimensions

mm

Type	E <sub>1</sub>	E <sub>2</sub>	E <sub>3</sub>	E <sub>4</sub>	E <sub>5</sub>	W <sub>1</sub>	W <sub>2</sub>	W <sub>3</sub>	W <sub>4</sub>	H <sub>1</sub>	H <sub>2</sub>	H <sub>3</sub>	H <sub>4</sub>	H <sub>5</sub>	H <sub>6</sub>	D	D <sub>1</sub>	D <sub>2</sub>	d <sub>1</sub>	d <sub>2</sub>	b	B	ℓ	t	t <sub>1</sub>	M	L	h	j	N	P <sub>1</sub>	P <sub>2</sub>
BSW-0	185	124	218	-	-	40	62	-	38	70	53	18	35	41	33	-	50	35	12	15	12	50	12	2	-	M6	9	-	-	90	Rc 1/8	Rc 1/8
BSW-1	259	161	315	-	-	30	81	47	38	135	60	18	89	52	46	-	50	35	16	15	12	50	12	2	-	M6	9	-	-	100	Rc 1/4	Rc 1/8
BSW-2	362	210	438	-	-	38	106	62	56	148	77	23	94	68	54	-	70	55	22	21	17	70	17	2	-	M8	12	-	-	140	Rc 1/4	Rc 1/8
BSW-3	482	276	582	-	-	52	140	80	78	175	104	32	99	92	73	-	102	70	30	28.5	23	95	23	3	-	M10	15	-	-	200	Rc 1/4	Rc 1/4
BSW-4	609	351	734	-	-	81	188	100	91	225	138	43	122	130	99	-	125	85	45	41	32	114	32	3	-	M12	19	-	-	250	Rc 1/2	Rc 1/4
BSW-5	795	446	956	-	-	117	256	128	114	220	167	34	86	182	139	-	165	130	45	46	-	162	63	3	-	M20	32	-	-	300	Rc 1/2	Rc 1/4
BSW-6	1006	638	1250	180	169	130	326	-	-	203	217	144	77	184	-	260	220	180	45	60	-	-	99	4	5	M16	26	18	64.4	450	Rc 1/2	Rc 1/2