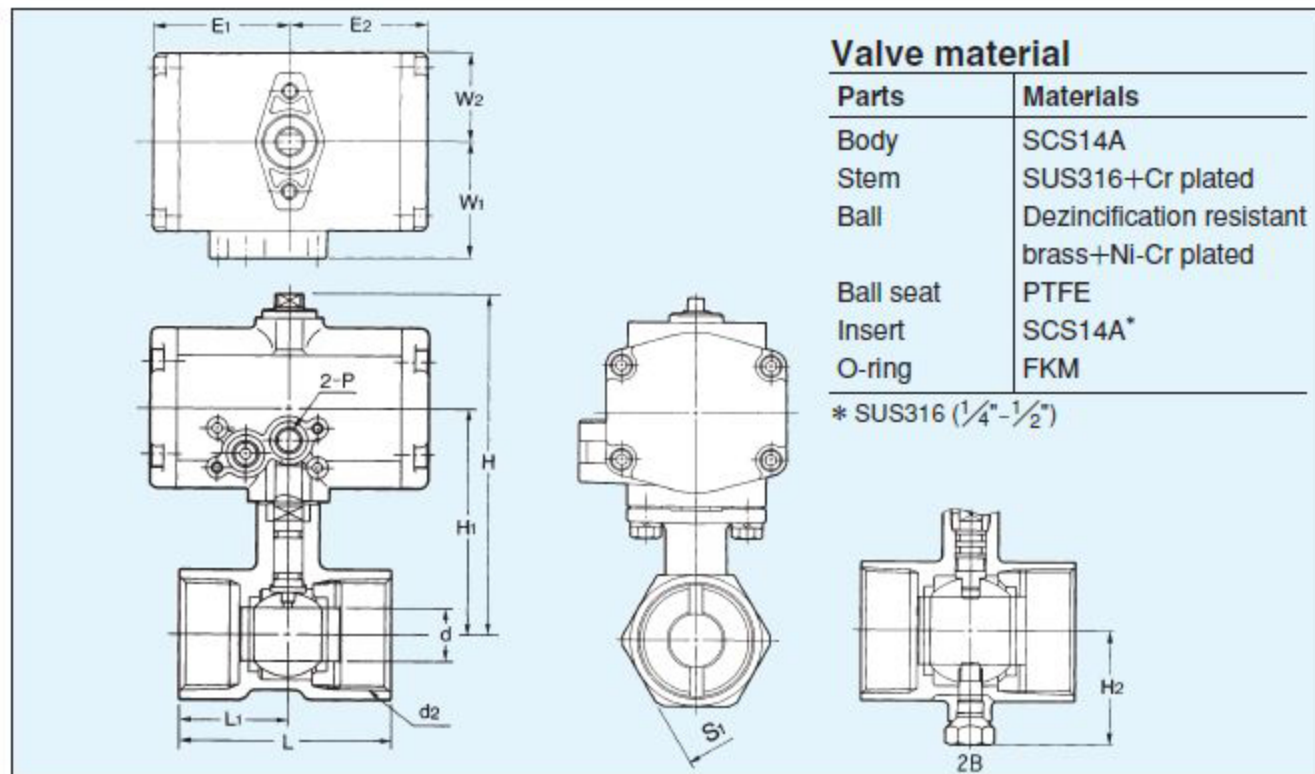


Type C Pneumatic Actuators / Class 10K Stainless Steel Ball Valves

Fig. C-UTE
(Reduced bore)



Valve material

Parts	Materials
Body	SCS14A
Stem	SUS316+Cr plated
Ball	Dezincification resistant brass+Ni-Cr plated
Ball seat	PTFE
Insert	SCS14A*
O-ring	FKM

* SUS316 (1/4"-1/2")

Dimensions

(mm)

Valve Size (Inch)	d	d ₂	H	H ₁	H ₂	L	L ₁	S ₁	Actuators					
									E ₁	E ₂	W ₁	W ₂	P	Type
1/4	4.5	Rc1/4	85.5	54	—	44	21	21	43	43	34.5	26	Rc1/8	C-1
3/8	6.8	Rc3/8	85.5	54	—	44	21	21						
1/2	9.2	Rc1/2	85.5	54	—	56.5	27.5	25						
3/4	12.5	Rc3/4	88.5	57	—	59	30	32						
1	16	Rc1	91.5	60	—	71	36	38	51.4	51.4	44	33.5	Rc1/8	C-2
1 1/4	20	Rc1 1/4	128.5	86	—	78	40	49						
1 1/2	24.5	Rc1 1/2	131.5	89	—	83	42.5	53						
2	32	Rc2	137.5	95	53.5	100	51	65						