

GP-2000

Features

1. Large-size diaphragm and external sensing method control reduced pressure more stably.
2. Since the Cv value is high, flow capability and control capability are significantly improved, one or two sizes smaller than the regular nominal size can be applied.
3. Spherical main valve offers great sealability and great reduction of valve seat leakage (compliant with ANSI Class IV).
4. Pressure management at low pressure (0.02 MPa or less) is possible.



Screwed type



Flanged type

Specifications

Model		GP-2000		
Application		Steam		
Reduced pressure sensing method		External sensing *1		
Inlet pressure		0.1-2.0 MPa		0.1-1.0 MPa
Reduced pressure		0.02-0.15 MPa *2		0.02-0.15 MPa *2
		0.1-1.4 MPa		0.1-0.85 MPa
		85% or less of inlet pressure (gauge pressure)		
Minimum differential pressure		0.05 MPa		
Maximum pressure reduction ratio		20:1		
Maximum temperature		220°C		
Valve seat leakage		0.01% or less of rated flow		
Material	Body	Ductile cast iron		
	Main valve	Stainless steel		
	Valve seat	Stainless steel		
	Pilot valve	Stainless steel		
	Pilot valve seat	Stainless steel		
	Diaphragm	Stainless steel		
Reduced pressure sensing pipe		Copper pipe ϕ 8-2 m		
Connection		JIS Rc screwed	JIS 20K RF flanged	JIS 10K FF flanged

*1 External sensing is standard. Available with internal sensing type (nominal size: 15A to 100A) in different specifications. Note that Cv value of internal sensing type is lower than that of external sensing type.

*2 Available with the GP-2000L, reduced pressure of 0.01 to 0.02 MPa, from 15A to 100A, inlet pressure of 0.1 to 0.5 MPa and maximum pressure reduction of 50:1.

- Available with external pilot type.
- Available with ASME or EN flanged.

Dimensions (mm) and Weights (kg)

● Screwed type

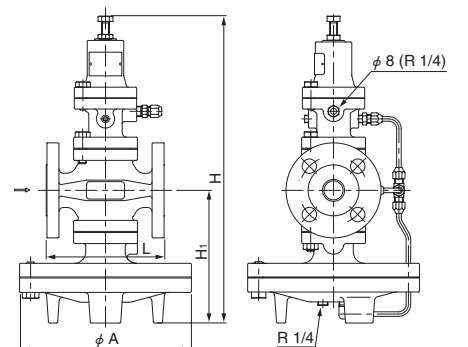
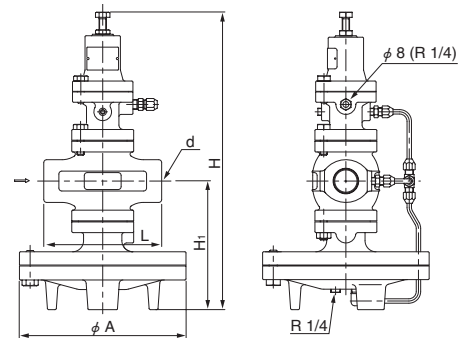
Nominal size	d	L	H ₁	H	A	Weight
15A	Rc 1/2	150	170	398	200	14.0
20A	Rc 3/4	150	170	398	200	14.0
25A	Rc 1	160	175	404	226	18.5
32A	Rc 1-1/4	180	192	434	226	21.5
40A	Rc 1-1/2	180	192	434	226	21.5
50A	Rc 2	230	216	498	276	33.0

- Available with NPT connection.

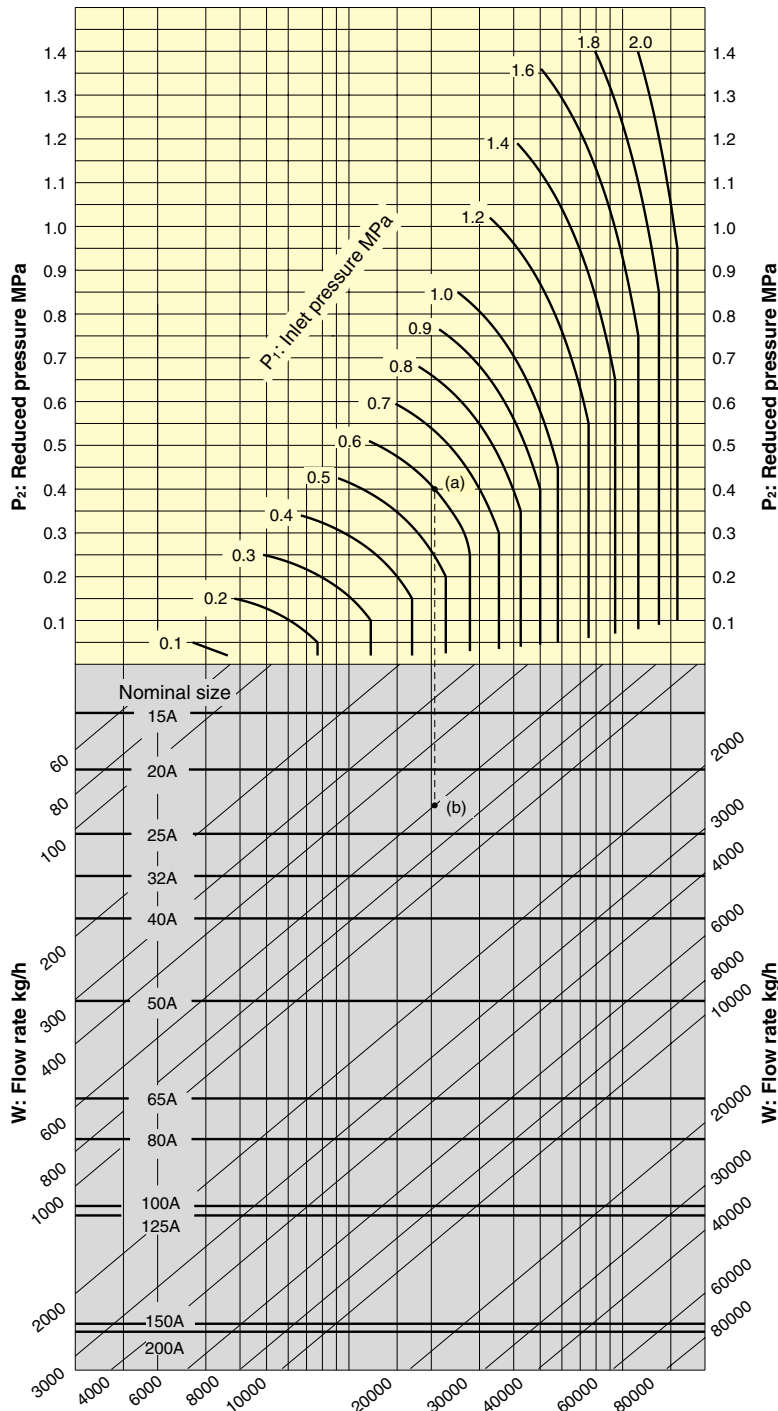
● Flanged type (JIS 20K RF)

Nominal size	L	H ₁	H	A	Weight
15A	146 (142)	170	398	200	15.5 (15.3)
20A	146 (142)	170	398	200	16.0 (15.8)
25A	156 (152)	175	404	226	21.0 (20.6)
32A	176 (172)	192	434	226	24.0 (23.6)
40A	196 (192)	192	434	226	24.5 (24.1)
50A	222 (218)	216	498	276	36.0 (35.8)
65A	282 (278)	251	552	352	64.5 (64.2)
80A	302 (294)	264	575	352	71.5 (68.8)
100A	342 (330)	321	658	401	111.0 (106.9)
125A	400 (388)	321	658	401	115.0 (112.0)
150A	465 (453)	414	814	502	234.3 (230.0)
200A	469 (469)	414	814	502	242.0 (238.0)

- The above values in parentheses are the dimensions of JIS 10K FF flanged.



Nominal Sizes Selection Chart (For Steam/External Sensing)

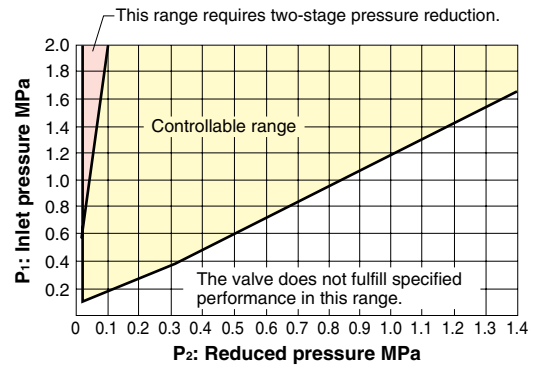


[Example]

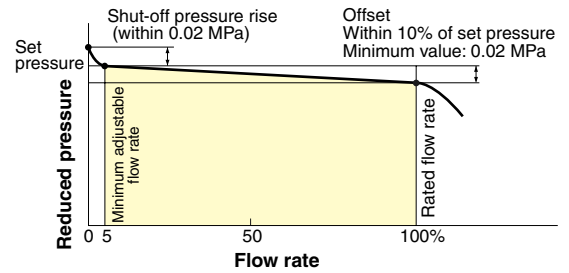
When selecting the nominal size of a pressure reducing valve whose inlet pressure (P_1), reduced pressure (P_2), and flow rate are 0.6 MPa, 0.4 MPa, and 600 kg/h, respectively, first find intersection point (a) of the inlet pressure of 0.6 MPa and the reduced pressure of 0.4 MPa. Trace down vertically from this intersection point to find intersection point (b) with the flow rate of 600 kg/h. Since intersection point (b) lies between nominal sizes 20A and 25A, select the larger one, 25A.

- Set the safety factor at 80 to 90%.

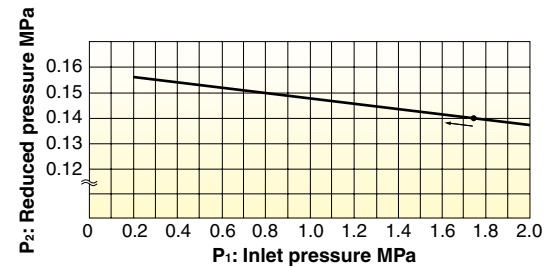
Specifications Selection Chart



Flow Characteristic Chart



Pressure Characteristic Chart



This chart shows a variation in the reduced pressure when the inlet pressure of 1.75 MPa is changed between the range from 0.2 MPa to 2.0 MPa with the reduced pressure set at 0.14 MPa.

GP-2000 Flow Rate Table

(kg/h)

P ₁ (MPa)	P ₂ (MPa)	15A	20A	25A	32A	40A	50A	65A	80A	100A	125A	150A	200A
2.0	0.1-0.9	1,260	1,814	2,746	3,603	4,737	8,064	15,120	19,656	30,240	31,500	63,000	65,520
	1	1,232	1,775	2,687	3,525	4,634	7,889	14,792	19,230	29,584	30,817	61,635	64,100
	1.2	1,136	1,636	2,477	3,250	4,273	7,273	13,637	17,729	27,275	28,412	56,824	59,097
	1.4	1,012	1,458	2,207	2,896	3,808	6,481	12,153	15,799	24,306	25,319	50,638	52,664
1.8	0.1-0.8	1,140	1,641	2,485	3,260	4,286	7,296	13,680	17,784	27,360	28,500	57,000	59,280
	0.9	1,113	1,603	2,426	3,183	4,185	7,125	13,359	17,367	26,718	27,832	55,664	57,890
	1	1,067	1,537	2,327	3,053	4,014	6,832	12,810	16,653	25,621	26,688	53,377	55,512
	1.2	954	1,374	2,081	2,730	3,590	6,111	11,458	14,895	22,916	23,871	47,742	49,652
	1.4	803	1,157	1,751	2,298	3,021	5,143	9,643	12,536	19,287	20,090	40,181	41,788
1.6	0.1-0.7	1,020	1,468	2,223	2,917	3,835	6,528	12,240	15,912	24,480	25,500	51,000	53,040
	1	893	1,286	1,947	2,554	3,358	5,716	10,718	13,933	21,436	22,329	44,659	46,445
	1.3	664	956	1,448	1,900	2,498	4,253	7,974	10,366	15,949	16,613	33,227	34,556
1.4	0.1-0.6	900	1,296	1,962	2,574	3,384	5,760	10,800	14,040	21,600	22,500	45,000	46,800
	1	702	1,011	1,531	2,009	2,642	4,497	8,433	10,962	16,866	17,568	35,137	36,543
	1.1	620	893	1,352	1,773	2,331	3,969	7,442	9,675	14,884	15,504	31,009	32,250
1.2	0.1-0.5	780	1,123	1,700	2,230	2,932	4,992	9,360	12,168	18,720	19,500	39,000	40,560
	1	477	687	1,040	1,365	1,795	3,055	5,729	7,447	11,458	11,935	23,871	24,826
1.0	0.1-0.4	660	950	1,438	1,887	2,481	4,224	7,920	10,296	15,840	16,500	33,000	34,320
	0.5	635	914	1,385	1,817	2,388	4,066	7,623	9,911	15,247	15,883	31,766	33,036
	0.8	435	627	950	1,246	1,638	2,789	5,229	6,798	10,459	10,895	21,791	22,663
0.9	0.1-0.4	600	864	1,308	1,716	2,256	3,840	7,200	9,360	14,400	15,000	30,000	31,200
	0.5	551	793	1,201	1,576	2,072	3,528	6,615	8,600	13,230	13,782	27,564	28,666
	0.7	413	595	901	1,182	1,554	2,646	4,961	6,450	9,923	10,336	20,673	21,500
0.8	0.1-0.3	540	777	1,177	1,544	2,030	3,456	6,480	8,424	12,960	13,500	27,000	28,080
	0.5	462	665	1,007	1,322	1,738	2,958	5,547	7,211	11,094	11,556	23,113	24,037
0.7	0.1-0.3	480	691	1,046	1,372	1,804	3,072	5,760	7,488	11,520	12,000	24,000	24,960
	0.5	364	525	794	1,042	1,371	2,333	4,375	5,688	8,751	9,115	18,231	18,961
0.6	0.1-0.2	420	604	915	1,201	1,579	2,688	5,040	6,552	10,080	10,500	21,000	21,840
	0.3	395	570	862	1,132	1,488	2,533	4,750	6,175	9,500	9,896	19,793	20,584
	0.5	248	357	541	710	934	1,590	2,981	3,875	5,963	6,211	12,423	12,919
0.5	0.1-0.2	360	518	784	1,029	1,353	2,304	4,320	5,616	8,640	9,000	18,000	18,720
	0.3	308	443	671	881	1,158	1,972	3,698	4,807	7,396	7,704	15,408	16,025
	0.4	228	329	498	653	859	1,462	2,742	3,565	5,485	5,713	11,427	11,884
0.4	0.05-0.15	300	432	654	858	1,128	1,920	3,600	4,680	7,200	7,500	15,000	15,600
	0.3	206	297	450	591	777	1,323	2,480	3,225	4,961	5,168	10,336	10,750
0.3	0.05-0.1	240	345	523	686	902	1,536	2,880	3,744	5,760	6,000	12,000	12,480
	0.2	182	262	397	521	685	1,166	2,187	2,844	4,375	4,557	9,115	9,480
0.2	0.05	180	259	392	515	677	1,152	2,160	2,808	4,320	4,500	9,000	9,360
	0.1	154	221	335	440	579	986	1,849	2,403	3,698	3,852	7,704	8,012
0.1	0.05	91	131	198	260	342	583	1,093	1,422	2,187	2,278	4,557	4,740