

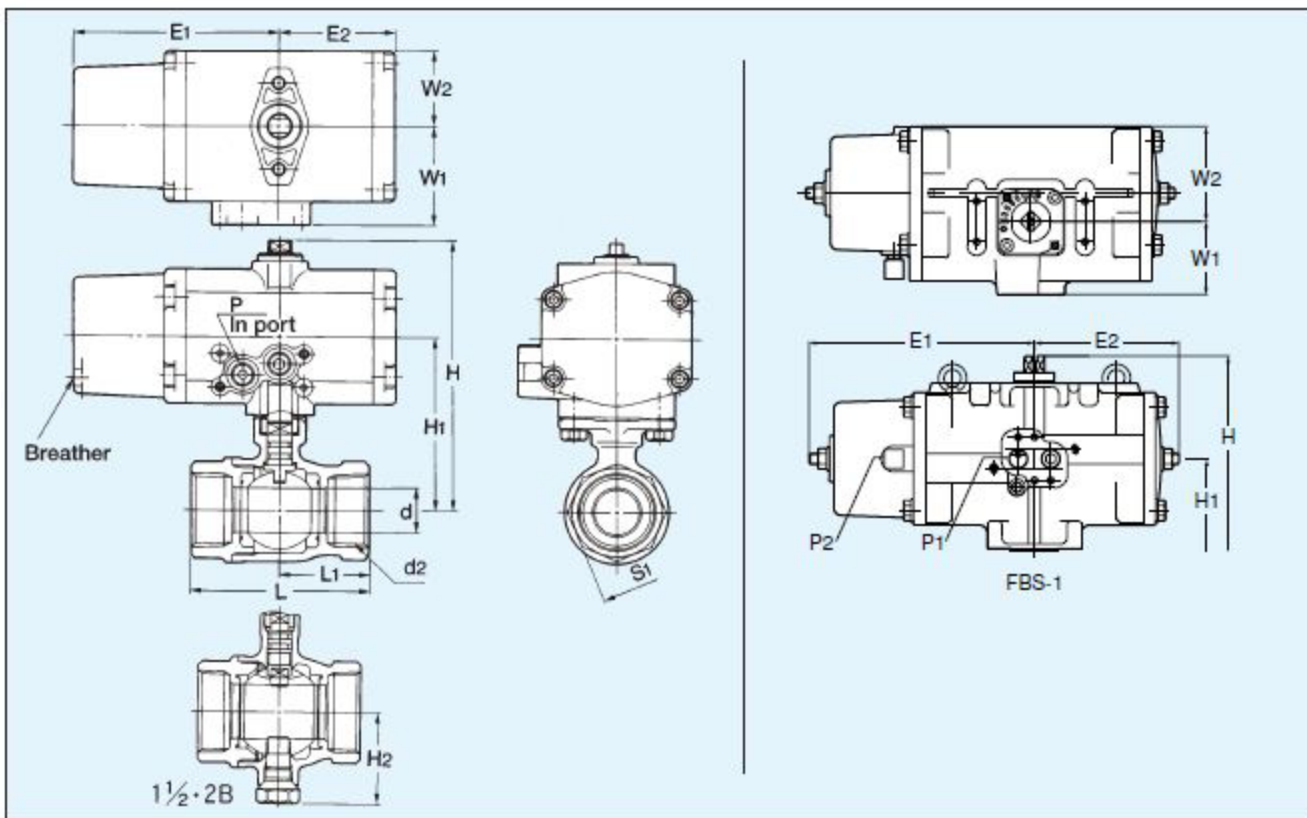
Type CS / FBS Pneumatic Actuators / Class 10K Bronze Ball Valves

Fig. CS-TE

Valve size: 3/8" to 1"

FBS-TE

Valve size: 1 1/4" to 2"
(Standard bore)



Dimensions

Valve Size (Inch)	d	d ₂	H	H ₁	H ₂	L	L ₁	S ₁	Actuators						
									E ₁	E ₂	W ₁	W ₂	P ₁	P ₂	Type
3/8	7.5	Rc3/8	87.5	56	—	46	22	22	69.5	43	34.5	26	—	Rc1/8	CS-1
1/2	10	Rc1/2	112.5	70	—	65	32.5	28	92	51.4	44	33.5	—	Rc1/8	CS-2
3/4	15	Rc3/4	116.5	74	—	68	34	34							
1	20	Rc1	120.5	78	—	79	39.5	41	132	87	50	54	Rc1/4	Rc1/8	FBS-1
1 1/4	25	Rc1 1/4	182	112	—	86	43	50							
1 1/2	32	Rc1 1/2	195	125	53.5	96	48	56							
2	40	Rc2	202	132	60	109	54.5	68							

(mm)