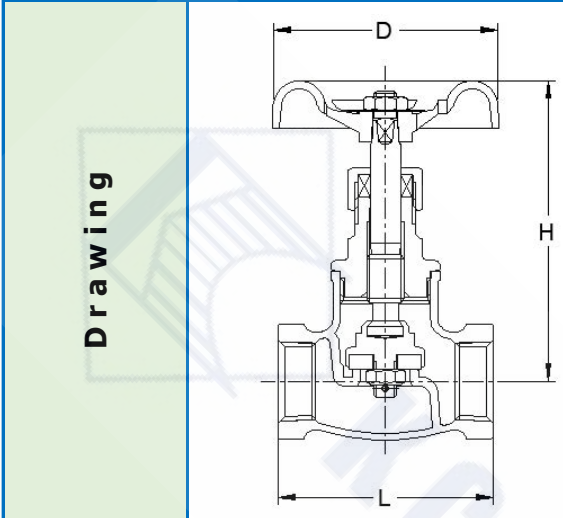


## CLASS 125 BRONZE GLOBE VALVE

<b>Fig. Class</b>	<b>G/AKG</b>
<b>Connection Design</b>	125 Threaded ends BS21 (JIS B0203) or NPT (ASME B1.20.1) Screwed Bonnet / Union Bonnet, Rising Stem, Soft seated disc

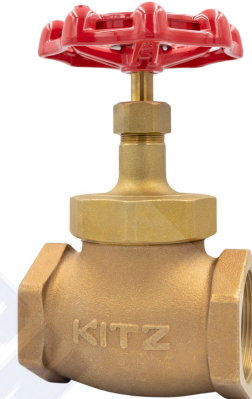
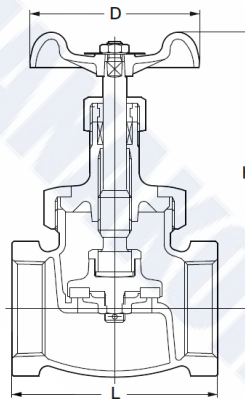


Ref. from KITZ size 25A  
**Fig. G/AKG**

Size		Dimensions (mm.)		
inch	mm	L	H(Open)	D
1/4"	8	47	68	50
3/8"	10	53	87	55
1/2"	15	57	87	60
3/4"	20	66	102	70
1"	25	76	113	80
1-1/4"	32	88	138	90
1-1/2"	40	100	154	100
2"	50	120	183	115
2-1/2"	65	147	210	135
3"	80	162	229	155



**Do not use for flammable gas or toxic gas.**



**For size 2-1/2" & 3"**  
**Union Bonnet**

**Materials :**

Parts	Material
Body	Bronze
Bonnet	Brass/Bronze*
Stem	Dezincification resistant brass
Disc	G/F PTFE
Gland Packing	Aramid Fibers Graphite

\* Size 2-1/2" & 3"

**Note :** - Please contact KITZ dealers  
**Fig. AKG** (Threaded end to NPT (ASME B1.20.1))

**P-T Rating :**

W.O.G Non-shock .....	1.38MPa (200psi)
Saturated Steam pressure .....	0.86MPa (125psi)