

10K CAST IRON GLOBE VALVE FLANGED ENDS

KITZ Fig: 10FCJS

Sizes: 2 1/2-inch(65-mm)

Standards

- . End to End: JIS B2031
- . End Connection: JIS B2239 10K
- . Wall Thickness: JIS B2031

Test Standard

- . JIS B2031

Approvals

JIS規格品 65-300 mm (2 1/2-12 inch)

approved

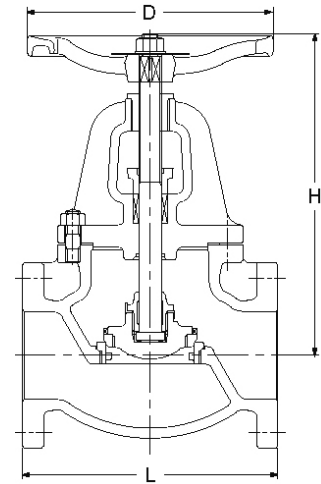
Dimensions

SIZE (inch/mm)	L	L1	H	D1	Kg
2 1/2 65	220.0		301.0	180.0	
3 80	240.0		353.0	225.0	
4 100	290.0		403.0	280.0	
5 125	360.0		465.0	300.0	
6 150	410.0		533.0	350.0	
8 200	500.0		618.0	450.0	
10 250	620.0		669.0	450.0	
12 300	700.0		756.0	500.0	

Specifications

10K CAST IRON GLOBE VALVE FLANGED ENDS

End to End : JIS B2031, End Connection : JIS B2239 10K, Wall Thickness : JIS B2031, Test Standard : JIS B2031, Sizes : 2 1/2-inch(65-mm), Approvals : JIS規格品 65-300 mm (2 1/2-12 inch), ,KITZ Fig : 10FCJS



For more details, please refer to the drawing.

Pressure-temperature ratings and other performance data published in this catalog have been developed from our design calculation, in-house testing, field reports provided by our customers and/or published official standards or specifications. They are good only to cover typical applications as a general guideline to users of KITZ products introduced in this catalog. For any specific application, users are kindly requested to contact KITZ Corporation for technical advice, or to carry out their own study and evaluation for proving suitability of these products to such an application. Failure to follow this request could result in property damage and/or personal injury, for which we shall not be liable. Read instruction manual carefully before use.

KITZ

KITZ CORPORATION 1-10-1 Nakase, Mihama-ku, Chiba 261-8577, Japan
© KITZ Corporation. All Right Reserved.

ISO 9001
CERTIFIED
Since 1989