

10K CAST IRON SWING CHECK VALVE FLANGED ENDS

KITZ Fig: 10FCOS

Sizes: 2 1/2-inch(65-mm)

Standards

- End to End: JIS B2031
- End Connection: JIS B2239 10K
- Wall Thickness: JIS B2031

Test Standard

- JIS B2031

Approvals

鉛の浸出性能基準適合品（公的規格・第三者認証）, JIS規格品 65-350 mm (2 1/2-14 inch)

approved

Dimensions

SIZE (inch/mm)	L	L1	H	D1	Kg
2 1/2 65	220.0		123.0		
3 80	240.0		145.0		
4 100	290.0		165.0		
5 125	360.0		207.0		
6 150	410.0		225.0		
8 200	500.0		268.0		
10 250	620.0		319.0		
12 300	700.0		356.0		
14 350	787.0		381.0		

Specifications

10K CAST IRON SWING CHECK VALVE FLANGED ENDS

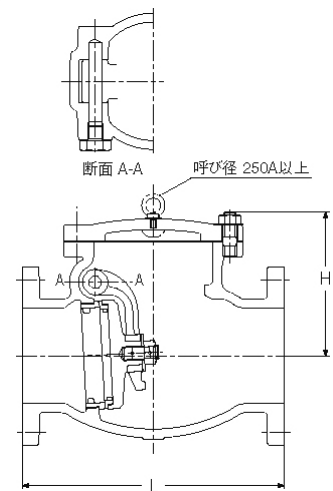
End to End : JIS B2031, End Connection : JIS B2239 10K, Wall

Thickness : JIS B2031, Test Standard : JIS B2031, Sizes : 2 1/2-

inch(65-mm), Approvals : 鉛の浸出性能基準適合品（公的規格・第三者認証）, JIS規格品 65-350 mm (2 1/2-14 inch), , KITZ Fig : 10FCOS



水



For more details, please refer to the drawing.

Pressure-temperature ratings and other performance data published in this catalog have been developed from our design calculation, in-house testing, field reports provided by our customers and/or published official standards or specifications. They are good only to cover typical applications as a general guideline to users of KITZ products introduced in this catalog. For any specific application, users are kindly requested to contact KITZ Corporation for technical advice, or to carry out their own study and evaluation for proving suitability of these products to such an application. Failure to follow this request could result in property damage and/or personal injury, for which we shall not be liable. Read instruction manual carefully before use.

KITZ

KITZ CORPORATION 1-10-1 Nakase, Mihama-ku, Chiba 261-8577, Japan
© KITZ Corporation. All Right Reserved.

ISO 9001
CERTIFIED
Since 1989