

10K CAST IRON BALL VALVE FLANGED ENDS

KITZ Fig: 10FCTB

Sizes: 2 1/2-inch(65-mm)

フルボア型

Standards

- End to End: KITZ STANDARD
- End Connection: JIS B2239 10K
- Wall Thickness: KITZ STANDARD

Test Standard

- KITZ STANDARD

Approvals

公共建築工事標準仕様書適合品（機械設備工事編） 65-200 mm (2 1/2-8 inch)

approved

Dimensions

SIZE (inch/mm)	L	L1	H	D1	Kg
2 1/2 65	190.0		154.0	400.0	17.00
3 80	200.0		163.0	400.0	2.00
4 100	230.0		199.0	460.0	
5 125	300.0		219.0	460.0	
6 150	340.0		292.0	1000.0	79.00
8 200	450.0		352.0	1500.0	111.00

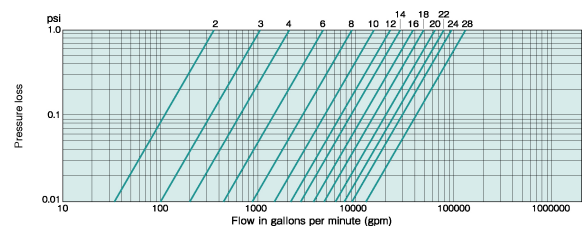
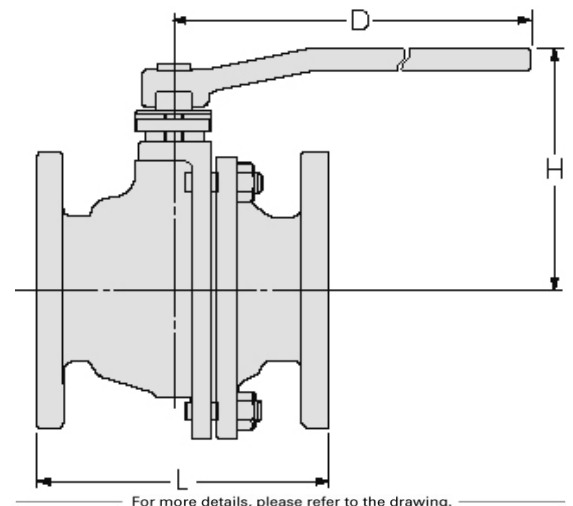
Specifications

10K CAST IRON BALL VALVE FLANGED ENDS, フルボア型

End to End : KITZ STANDARD, End Connection : JIS B2239 10K, Wall Thickness : KITZ STANDARD, Test Standard : KITZ STANDARD, Sizes : 2 1/2-inch(65-mm), Approvals : 公共建築工事標準仕様書適合品（機械設備工事編） 65-200 mm (2 1/2-8 inch), ,KITZ Fig : 10FCTB



国土

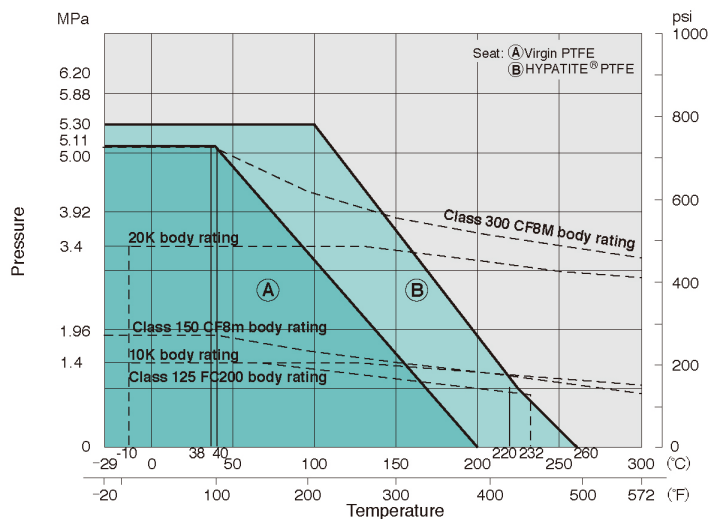


Pressure-temperature ratings and other performance data published in this catalog have been developed from our design calculation, in-house testing, field reports provided by our customers and/or published official standards or specifications. They are good only to cover typical applications as a general guideline to users of KITZ products introduced in this catalog. For any specific application, users are kindly requested to contact KITZ Corporation for technical advice, or to carry out their own study and evaluation for proving suitability of these products to such an application. Failure to follow this request could result in property damage and/or personal injury, for which we shall not be liable. Read instruction manual carefully before use.

KITZ

KITZ CORPORATION 1-10-1 Nakase, Mihama-ku, Chiba 261-8577, Japan
© KITZ Corporation. All Right Reserved.

ISO 9001
CERTIFIED
Since 1989



Pressure-temperature ratings and other performance data published in this catalog have been developed from our design calculation, in-house testing, field reports provided by our customers and/or published official standards or specifications. They are good only to cover typical applications as a general guideline to users of KITZ products introduced in this catalog. For any specific application, users are kindly requested to contact KITZ Corporation for technical advice, or to carry out their own study and evaluation for proving suitability of these products to such an application. Failure to follow this request could result in property damage and/or personal injury, for which we shall not be liable. Read instruction manual carefully before use.



KITZ CORPORATION 1-10-1 Nakase, Mihama-ku, Chiba 261-8577, Japan
© KITZ Corporation. All Right Reserved.

