

10K CAST IRON, BALL VALVES

KITZ Fig: 10FCTR2L

Sizes: 5-8inch(125-200mm)

REDUCED BORE, 3-WAY 2-SEAT L-PORT, FLANGED ENDS.

Standards

- . End to End: KITZ STANDARD
- . End Connection: JIS B2239 10K
- . Wall Thickness: JIS B2031

Test Standard

- . KITZ STANDARD

Dimensions

| SIZE (inch/mm) | L | L1 | H | D1 | Kg |
|----------------|-------|-------|-------|--------|----|
| 5 125 | 370.0 | 185.0 | 205.0 | 460.0 | |
| 6 150 | 430.0 | 215.0 | 225.0 | 460.0 | |
| 8 200 | 540.0 | 270.0 | 295.0 | 1000.0 | |

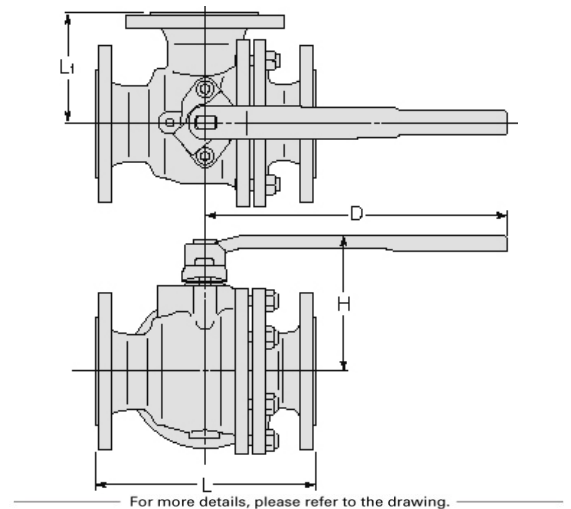
Material List

| NAME OF PART | MATERIAL | SPECIFICATION |
|--------------|-----------------|---------------------|
| BODY | CAST IRON | FC200 |
| BODY CAP | CAST IRON | FC200 |
| STEM | STAINLESS STEEL | 403SS |
| BALL | STAINLESS STEEL | A351 Gr. CF8/SCS13A |

Specifications

10K CAST IRON, BALL VALVES, REDUCED BORE, 3-WAY 2-SEAT L-PORT, FLANGED ENDS.

End to End : KITZ STANDARD, End Connection : JIS B2239 10K, Wall Thickness : JIS B2031, Test Standard : KITZ STANDARD, Sizes : 5-8inch(125-200mm), BODY MATERIAL : CAST IRON, BODY CAP MATERIAL : CAST IRON, STEM MATERIAL : STAINLESS STEEL, BALL MATERIAL : STAINLESS STEEL, KITZ Fig : 10FCTR2L



Pressure-temperature ratings and other performance data published in this catalog have been developed from our design calculation, in-house testing, field reports provided by our customers and/or published official standards or specifications. They are good only to cover typical applications as a general guideline to users of KITZ products introduced in this catalog. For any specific application, users are kindly requested to contact KITZ Corporation for technical advice, or to carry out their own study and evaluation for proving suitability of these products to such an application. Failure to follow this request could result in property damage and/or personal injury, for which we shall not be liable. Read instruction manual carefully before use.

KITZ

KITZ CORPORATION 1-10-1 Nakase, Mihama-ku, Chiba 261-8577, Japan
© KITZ Corporation. All Right Reserved.

ISO 9001
CERTIFIED
Since 1989