

10K CAST IRON, WAFER TYPE CHECK VALVES

KITZ Fig: 10FWZ

Sizes: 2 1/2-inch(65-mm)

(SEAT:NBR)

Standards

• End to End: KITZ STANDARD

• End Connection: WAFER TYPE (JIS 10K)

• Wall Thickness: KITZ STANDARD

Test Standard

• KITZ STANDARD

Conform to

公共建築工事標準仕様書相当品（機械設備工事編） 65-450 mm (2 1/2-18 inch)

approved

Dimensions

SIZE (inch/mm)	L	L1	H	D1	Kg
2 1/2 65	56.0		150.0	70.0	
3 80	59.0		156.0	70.0	
4 100	66.0		169.0	70.0	
5 125	72.0		183.0	70.0	
6 150	78.0		216.0	80.0	
8 200	96.0		243.0	80.0	
10 250	109.0		290.0	90.0	
12 300	145.0		315.0	90.0	
14 350	184.0		330.0	90.0	
16 400	191.0		355.0	90.0	
18 450	204.0		388.0	90.0	

Material List

NAME OF PART	MATERIAL	SPECIFICATION
BODY	CAST IRON+NBR	FC250+NBR
STEM	BRASS	C3531 (2)

Specifications

10K CAST IRON, WAFER TYPE CHECK VALVES, (SEAT:NBR)

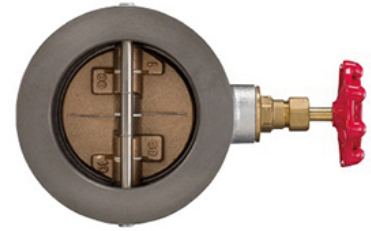
End to End : KITZ STANDARD, End Connection : WAFER TYPE (JIS

10K), Wall Thickness : KITZ STANDARD, Test Standard : KITZ

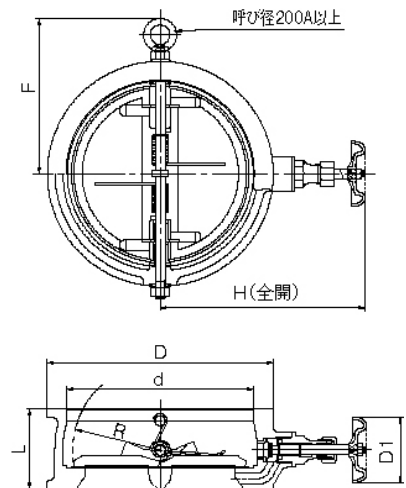
STANDARD, Sizes : 2 1/2-inch(65-mm), Conform to : 公共建築工事標準仕

様書相当品（機械設備工事編） 65-450 mm (2 1/2-18 inch), BODY MATERIAL

: CAST IRON+NBR, STEM MATERIAL : BRASS, KITZ Fig : 10FWZ



国 土



For more details, please refer to the drawing.

Pressure-temperature ratings and other performance data published in this catalog have been developed from our design calculation, in-house testing, field reports provided by our customers and/or published official standards or specifications. They are good only to cover typical applications as a general guideline to users of KITZ products introduced in this catalog. For any specific application, users are kindly requested to contact KITZ Corporation for technical advice, or to carry out their own study and evaluation for proving suitability of these products to such an application. Failure to follow this request could result in property damage and/or personal injury, for which we shall not be liable. Read instruction manual carefully before use.

KITZ

KITZ CORPORATION 1-10-1 Nakase, Mihama-ku, Chiba 261-8577, Japan
© KITZ Corporation. All Right Reserved.

ISO 9001
CERTIFIED
Since 1989