

10K DUCTILE IRON, GLOBE VALVES

KITZ Fig: 10SPDBF

Sizes: -inch(-mm)

(SOFT SEAT) UNION BONNET, INSIDE SCREW, FLAT FACE FLANGED ENDS.

Standards

. End to End: JIS B2002

. End Connection: JIS B2239 10K

. Wall Thickness: KITZ STANDARD

Test Standard

. KITZ STANDARD

Dimensions

SIZE (inch/mm)	L	L1	H	D1	Kg

Material List

NAME OF PART	MATERIAL	SPECIFICATION
BODY	DUCTILE IRON	FCD-S
BONNET	DUCTILE IRON	FCD-S
STEM	STAINLESS STEEL	SUS420J2
DISC	G/F PTFE	

Specifications

10K DUCTILE IRON, GLOBE VALVES, (SOFT SEAT) UNION BONNET, INSIDE SCREW, FLAT FACE FLANGED ENDS.

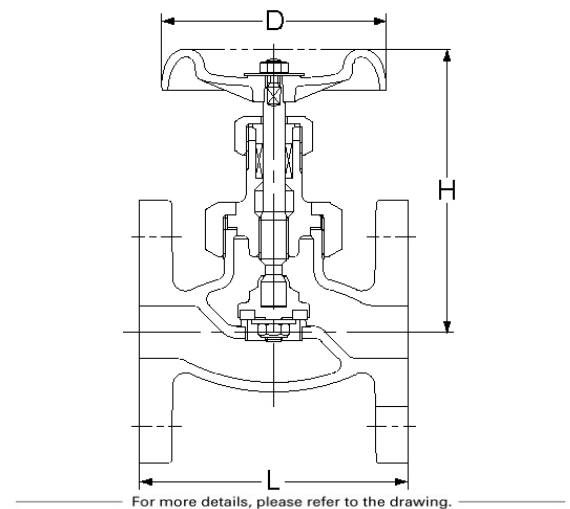
End to End : JIS B2002, End Connection : JIS B2239 10K, Wall

Thickness : KITZ STANDARD, Test Standard : KITZ STANDARD, Sizes : -

inch(-mm), BODY MATERIAL : DUCTILE IRON, BONNET MATERIAL : DUCTILE

IRON, STEM MATERIAL : STAINLESS STEEL, DISC MATERIAL : G/F PTFE, KITZ Fig

: 10SPDBF



Pressure-temperature ratings and other performance data published in this catalog have been developed from our design calculation, in-house testing, field reports provided by our customers and/or published official standards or specifications. They are good only to cover typical applications as a general guideline to users of KITZ products introduced in this catalog. For any specific application, users are kindly requested to contact KITZ Corporation for technical advice, or to carry out their own study and evaluation for proving suitability of these products to such an application. Failure to follow this request could result in property damage and/or personal injury, for which we shall not be liable. Read instruction manual carefully before use.

KITZ

KITZ CORPORATION 1-10-1 Nakase, Mihama-ku, Chiba 261-8577, Japan
© KITZ Corporation. All Right Reserved.

ISO 9001
CERTIFIED
Since 1989