

10K DUCTILE IRON SWING CHECK VALVE FLANGED ENDS

KITZ Fig: 10SRBF

Sizes: 21/2-inch(65-mm)

全面座フランジ形

Standards

・ End to End: JIS B2002

・ End Connection: JIS B2239 10K

・ Wall Thickness: KITZ STANDARD

Test Standard

・ KITZ STANDARD

Approvals

(一社) 日本バルブ工業会規格適合品 65-300 mm (21/2-12 inch)
approved

Dimensions

SIZE (inch/mm)	L	L1	H	D1	Kg
21/2 65	216.0		132.0		
3 80	241.0		147.0		
4 100	292.0		165.0		
5 125	330.0		196.0		
6 150	356.0		214.0		
8 200	495.0		256.0		
10 250	622.0		311.0		
12 300	698.0		351.0		

Specifications

10K DUCTILE IRON SWING CHECK VALVE FLANGED ENDS, 全面座フランジ形

End to End : JIS B2002, End Connection : JIS B2239 10K, Wall

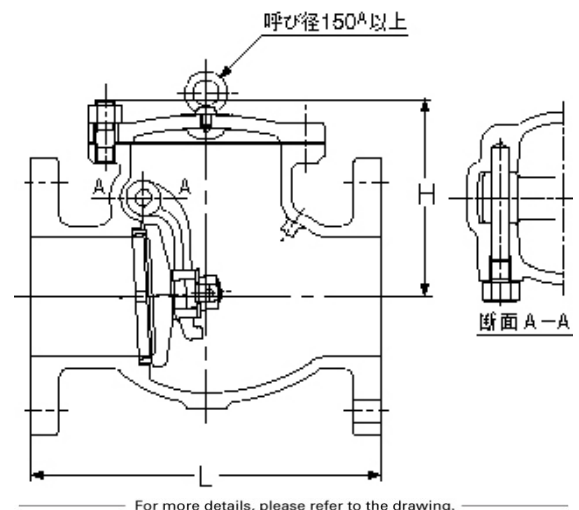
Thickness : KITZ STANDARD, Test Standard : KITZ STANDARD, Sizes :

21/2-inch(65-mm), Approvals : (一社) 日本バルブ工業会規格適合品

65-300 mm (21/2-12 inch), ,KITZ Fig : 10SRBF



JV



For more details, please refer to the drawing.

Pressure-temperature ratings and other performance data published in this catalog have been developed from our design calculation, in-house testing, field reports provided by our customers and/or published official standards or specifications. They are good only to cover typical applications as a general guideline to users of KITZ products introduced in this catalog. For any specific application, users are kindly requested to contact KITZ Corporation for technical advice, or to carry out their own study and evaluation for proving suitability of these products to such an application. Failure to follow this request could result in property damage and/or personal injury, for which we shall not be liable. Read instruction manual carefully before use.

KITZ

KITZ CORPORATION 1-10-1 Nakase, Mihama-ku, Chiba 261-8577, Japan
© KITZ Corporation. All Right Reserved.

ISO 9001
CERTIFIED
Since 1989