

10K CAST STAINLESS STEEL SWING CHECK VALVE FLANGED ENDS

KITZ Fig: 10UOAMT

Sizes: 21/2-inch(65-mm)

Standards

- End to End: ASME B16.10 CLASS 150
- End Connection: JIS B2220 10K
- Wall Thickness: ASME B16.34 CLASS 150

Test Standard

- KITZ STANDARD

Approvals

(一社)日本バルブ工業会規格適合品 65-350 mm (21/2-14 inch)
approved

Dimensions

SIZE (inch/mm)	L	L1	H	D1	Kg
21/2 65	216.0		134.0		
3 80	241.0		146.0		
4 100	292.0		165.0		
5 125	330.0		192.0		
6 150	356.0		216.0		
8 200	495.0		264.0		
10 250	622.0		287.0		
12 300	698.0		315.0		
14 350	787.0		363.0		

Specifications

10K CAST STAINLESS STEEL SWING CHECK VALVE FLANGED ENDS

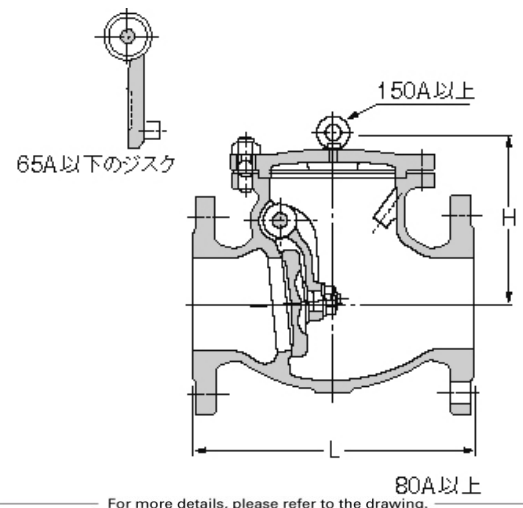
End to End : ASME B16.10 CLASS 150, End Connection : JIS B2220

10K, Wall Thickness : ASME B16.34 CLASS 150, Test Standard : KITZ

STANDARD, Sizes : 21/2-inch(65-mm), Approvals : (一社)日本バルブ工業会規格適合品 65-350 mm (21/2-14 inch), KITZ Fig : 10UOAMT



JV



For more details, please refer to the drawing.

●Aシリーズ・HAシリーズ・AJシリーズ (JIS B 2220-2004) 単位:MPa

評価圧力 使用温度(°C)	10K				20K			
	SCS13A	SCS14A	SCS16A	SCS19A	SCS13A	SCS14A	SCS16A	SCS19A
~120	1.4	1.4	1.4	1.4	3.4	3.4	3.4	3.4
220	1.2	1.2	1.2	1.2	3.1	3.1	3.1	3.1
300	1.0	1.0	1.0	1.0	2.9	2.9	2.9	2.9
350	—	—	—	—	2.6	2.6	2.6	2.6
400	—	—	—	—	2.3	2.3	2.3	2.3
420	—	—	—	—	2.0	2.0	2.0	2.0

⚠注意

- ガスケットおよびパッキン材料によって最高使用温度は変わります。上表に示しています材料ごとの最高使用温度をご確認ください。
- AJシリーズはシャケットの最高使用温度/圧力は260°C/1.0MPaです。これ以上での使用の場合はお問合せください。

Pressure-temperature ratings and other performance data published in this catalog have been developed from our design calculation, in-house testing, field reports provided by our customers and/or published official standards or specifications. They are good only to cover typical applications as a general guideline to users of KITZ products introduced in this catalog. For any specific application, users are kindly requested to contact KITZ Corporation for technical advice, or to carry out their own study and evaluation for proving suitability of these products to such an application. Failure to follow this request could result in property damage and/or personal injury, for which we shall not be liable. Read instruction manual carefully before use.

KITZ

KITZ CORPORATION 1-10-1 Nakase, Mihama-ku, Chiba 261-8577, Japan
© KITZ Corporation. All Right Reserved.

ISO 9001
CERTIFIED
Since 1989