

10K CAST STAINLESS STEEL Y TYPE STRAINER FLANGED ENDS

KITZ Fig: 10UYA

Sizes: 21/2-12inch(65-300mm)

40 メッシュ スクリーン

Standards

- End to End: KITZ STANDARD
- End Connection: JIS B2220 10K
- Wall Thickness: KITZ STANDARD

Test Standard

- KITZ STANDARD

Conform to

(一社) 日本バルブ工業会規格相当品, 公共建築工事標準仕様書相当品
(機械設備工事編) 65-300 mm (21/2-12 inch)

approved

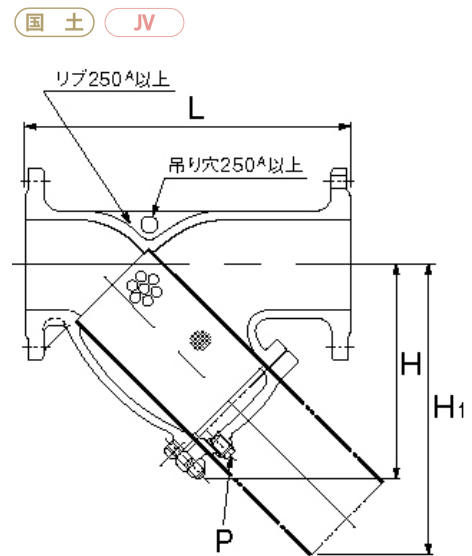
Dimensions

SIZE (inch/mm)	L	L1	H	D1	Kg
21/2 65	270.0		154.0		
3 80	290.0		189.0		
4 100	350.0		227.0		
5 125	390.0		268.0		
6 150	440.0		316.0		
8 200	540.0		384.0		
10 250	760.0		536.0		
12 300	870.0		636.0		

Specifications

10K CAST STAINLESS STEEL Y TYPE STRAINER FLANGED ENDS, 40 メッシュ
スクリーン

End to End : KITZ STANDARD, End Connection : JIS B2220 10K, Wall
Thickness : KITZ STANDARD, Test Standard : KITZ STANDARD, Sizes :
21/2-12inch(65-300mm), Conform to : (一社) 日本バルブ工業会規格相
当品, 公共建築工事標準仕様書相当品 (機械設備工事編) 65-300 mm
(21/2-12 inch), , KITZ Fig : 10UYA



Pressure-temperature ratings and other performance data published in this catalog have been developed from our design calculation, in-house testing, field reports provided by our customers and/or published official standards or specifications. They are good only to cover typical applications as a general guideline to users of KITZ products introduced in this catalog. For any specific application, users are kindly requested to contact KITZ Corporation for technical advice, or to carry out their own study and evaluation for proving suitability of these products to such an application. Failure to follow this request could result in property damage and/or personal injury, for which we shall not be liable. Read instruction manual carefully before use.

KITZ

KITZ CORPORATION 1-10-1 Nakase, Mihama-ku, Chiba 261-8577, Japan
© KITZ Corporation. All Right Reserved.

ISO 9001
CERTIFIED
Since 1989