

CLASS 125 CAST IRON Y TYPE STRAINER FLANGED ENDS

KITZ Fig: 125FCY

Sizes: 2 1/2-inch(65-mm)

Standards

- End to End: KITZ STANDARD
 - End Connection: ASME B16.1 CLASS 125
 - Wall Thickness: KITZ STANDARD
- Test Standard
- KITZ STANDARD

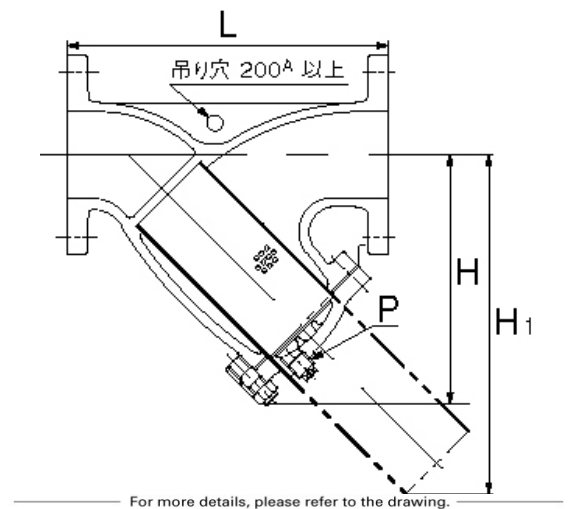
Dimensions

SIZE (inch/mm)	L	L1	H	D1	Kg
2 1/2	65	285.0	206.0		
3	80	315.0	237.0		
4	100	370.0	279.0		
5	125	420.0	321.0		
6	150	490.0	367.0		
8	200	570.0	457.0		
10	250	680.0	536.0		
12	300	800.0	625.0		
14	350	950.0	741.0		

Specifications

CLASS 125 CAST IRON Y TYPE STRAINER FLANGED ENDS

End to End : KITZ STANDARD, End Connection : ASME B16.1 CLASS 125, Wall Thickness : KITZ STANDARD, Test Standard : KITZ STANDARD, Sizes : 2 1/2-inch(65-mm),, KITZ Fig : 125FCY



Pressure-temperature ratings and other performance data published in this catalog have been developed from our design calculation, in-house testing, field reports provided by our customers and/or published official standards or specifications. They are good only to cover typical applications as a general guideline to users of KITZ products introduced in this catalog. For any specific application, users are kindly requested to contact KITZ Corporation for technical advice, or to carry out their own study and evaluation for proving suitability of these products to such an application. Failure to follow this request could result in property damage and/or personal injury, for which we shall not be liable. Read instruction manual carefully before use.

KITZ

KITZ CORPORATION 1-10-1 Nakase, Mihama-ku, Chiba 261-8577, Japan
© KITZ Corporation. All Right Reserved.

ISO 9001
CERTIFIED
Since 1989