

## CLASS 150 CAST STAINLESS STEEL SWING CHECK VALVE FLANGED ENDS

KITZ Fig: 150U0A

Sizes: 2 1/2-inch(65-mm)

Standards

- End to End: ASME B16.10 CLASS 150
- End Connection: ASME B16.5 CLASS 150
- Wall Thickness: ASME B16.34 CLASS 150

Test Standard

- API 598

Dimensions

SIZE (inch/mm)	L	L1	H	D1	Kg
2 1/2 65	216.0		134.0		
3 80	241.0		146.0		
4 100	292.0		164.0		
5 125	330.0		192.0		
6 150	356.0		214.0		
8 200	495.0		264.0		
10 250	622.0		286.0		
12 300	698.0		315.0		
14 350	787.0		363.0		
16 400	864.0		407.0		
18 450					
20 500					
24 600					

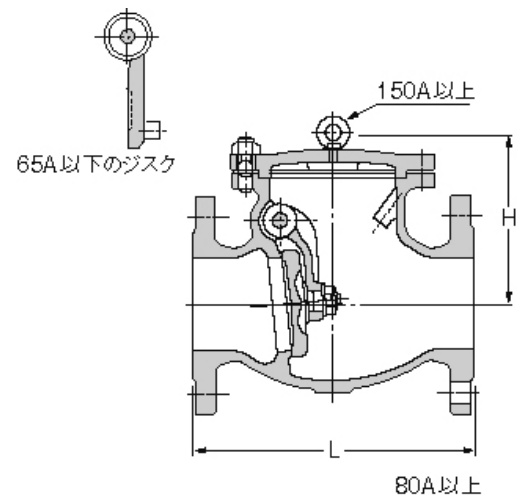
Specifications

CLASS 150 CAST STAINLESS STEEL SWING CHECK VALVE FLANGED ENDS

End to End : ASME B16.10 CLASS 150, End Connection : ASME B16.5

CLASS 150, Wall Thickness : ASME B16.34 CLASS 150, Test Standard :

API 598, Sizes : 2 1/2-inch(65-mm),, KITZ Fig : 150U0A



For more details, please refer to the drawing.

Pressure-temperature ratings and other performance data published in this catalog have been developed from our design calculation, in-house testing, field reports provided by our customers and/or published official standards or specifications. They are good only to cover typical applications as a general guideline to users of KITZ products introduced in this catalog. For any specific application, users are kindly requested to contact KITZ Corporation for technical advice, or to carry out their own study and evaluation for proving suitability of these products to such an application. Failure to follow this request could result in property damage and/or personal injury, for which we shall not be liable. Read instruction manual carefully before use.

# KITZ

KITZ CORPORATION 1-10-1 Nakase, Mihama-ku, Chiba 261-8577, Japan  
© KITZ Corporation. All Right Reserved.

ISO 9001  
CERTIFIED  
Since 1989