

20K DUCTILE IRON, BALL VALVES

KITZ Fig: 20STL

Sizes: 3-inch(80-mm)

REDUCED BORE, SCREWED ENDS.

Standards

. End to End: KITZ STANDARD

. End Connection: JIS B0203

. Wall Thickness: KITZ STANDARD

Test Standard

. KITZ STANDARD

Dimensions

SIZE (inch/mm)	L	L1	H	D1	Kg
3 80	180.0		154.0	400.0	

Material List

NAME OF PART	MATERIAL	SPECIFICATION
BODY	DUCTILE IRON	FCD-S
BODY CAP	DUCTILE IRON	FCD-S
STEM	STAINLESS STEEL	403SS
BALL	STAINLESS STEEL	304SS

Specifications

20K DUCTILE IRON, BALL VALVES, REDUCED BORE, SCREWED ENDS.

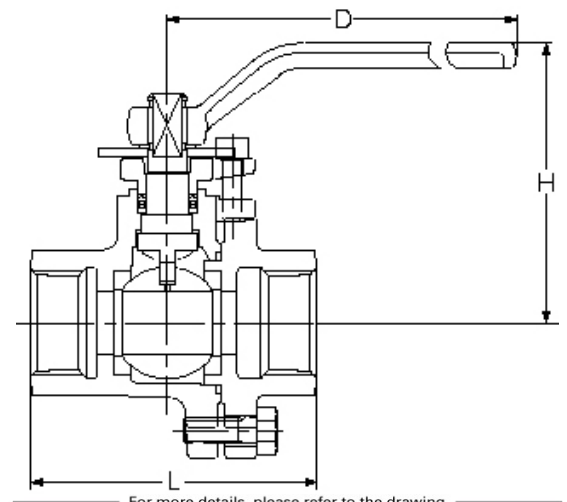
End to End : KITZ STANDARD, End Connection : JIS B0203, Wall

Tchickness : KITZ STANDARD, Test Standard : KITZ STANDARD, Sizes :

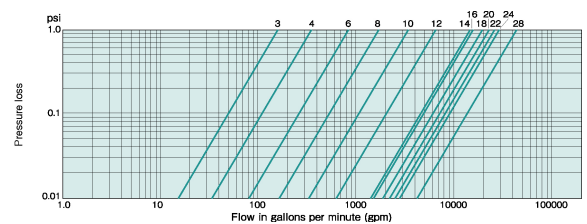
3-inch(80-mm), BODY MATERIAL : DUCTILE IRON, BODY CAP MATERIAL : DUCTILE

IRON, STEM MATERIAL : STAINLESS STEEL, BALL MATERIAL : STAINLESS

STEEL, KITZ Fig : 20STL



For more details, please refer to the drawing.



Pressure-temperature ratings and other performance data published in this catalog have been developed from our design calculation, in-house testing, field reports provided by our customers and/or published official standards or specifications. They are good only to cover typical applications as a general guideline to users of KITZ products introduced in this catalog. For any specific application, users are kindly requested to contact KITZ Corporation for technical advice, or to carry out their own study and evaluation for proving suitability of these products to such an application. Failure to follow this request could result in property damage and/or personal injury, for which we shall not be liable. Read instruction manual carefully before use.