

20K DUCTILE IRON, GLOBE VALVES

KITZ Fig: 20SYB0

Sizes: 2 1/2-inch(65-mm)

BOLTED BONNET, OUTSIDE SCREW & YOKE, FLANGED ENDS.

Standards

• End to End: JIS B2002

• End Connection: JIS B2239 20K

• Wall Thickness: KITZ STANDARD

Test Standard

• KITZ STANDARD

Approvals

(一社) 日本バルブ工業会規格適合品 65-200 mm (2 1/2-8 inch)
approved

Dimensions

SIZE (inch/mm)	L	L1	H	D1	Kg
2 1/2 65	292.0		341.0	250.0	
3 80	318.0		372.0	250.0	
4 100	356.0		449.0	300.0	
5 125	400.0		534.0	350.0	
6 150	444.0		600.0	400.0	
8 200	559.0		693.0	560.0	

Material List

NAME OF PART	MATERIAL	SPECIFICATION
BODY	DUCTILE IRON	FCD-S
BONNET	DUCTILE IRON	FCD-S
STEM	STAINLESS STEEL	403SS
DISC	CARBON STEEL+HF	A105+HF (3)

Specifications

20K DUCTILE IRON, GLOBE VALVES, BOLTED BONNET, OUTSIDE SCREW & YOKE, FLANGED ENDS.

End to End : JIS B2002, End Connection : JIS B2239 20K, Wall

Thickness : KITZ STANDARD, Test Standard : KITZ STANDARD, Sizes :

2 1/2-inch(65-mm), Approvals : (一社) 日本バルブ工業会規格適合品

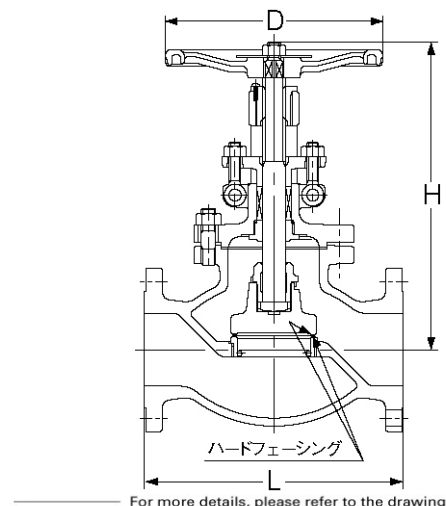
65-200 mm (2 1/2-8 inch), BODY MATERIAL : DUCTILE IRON, BONNET MATERIAL

: DUCTILE IRON, STEM MATERIAL : STAINLESS STEEL, DISC MATERIAL : CARBON

STEEL+HF, KITZ Fig : 20SYB0



JV



Pressure-temperature ratings and other performance data published in this catalog have been developed from our design calculation, in-house testing, field reports provided by our customers and/or published official standards or specifications. They are good only to cover typical applications as a general guideline to users of KITZ products introduced in this catalog. For any specific application, users are kindly requested to contact KITZ Corporation for technical advice, or to carry out their own study and evaluation for proving suitability of these products to such an application. Failure to follow this request could result in property damage and/or personal injury, for which we shall not be liable. Read instruction manual carefully before use.

KITZ

KITZ CORPORATION 1-10-1 Nakase, Mihama-ku, Chiba 261-8577, Japan
© KITZ Corporation. All Right Reserved.

ISO 9001
CERTIFIED
Since 1989