

20K CAST STAINLESS STEEL GATE VALVE FLANGED ENDS

KITZ Fig: 20UMAM

Sizes: 21/2-inch(65-mm)

Standards

- End to End: ASME B16.10 CLASS 300
- End Connection: JIS B2220 20K
- Wall Thickness: ASME B16.34 CLASS 300

Test Standard

- KITZ STANDARD

Approvals

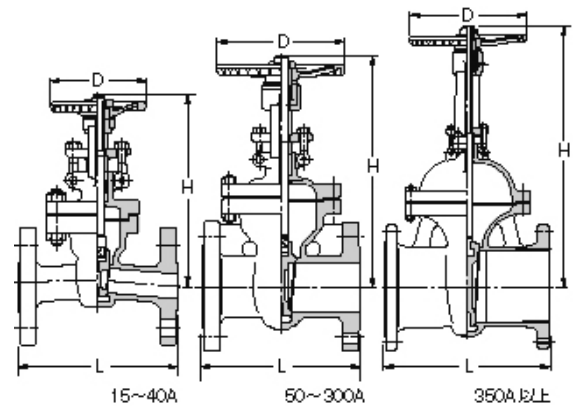
(一社) 日本バルブ工業会規格適合品 65-600 mm (21/2-24 inch)
approved

Dimensions

SIZE (inch/mm)	L	L1	H	D1	Kg
21/2 65	241.0		404.0	180.0	
3 80	283.0		472.0	225.0	
4 100	305.0		560.0	250.0	
5 125	381.0		625.0	300.0	
6 150	403.0		753.0	350.0	
8 200	419.0		968.0	400.0	
10 250	457.0		1177.0	450.0	
12 300	502.0		1376.0	500.0	
14 350					
16 400					
18 450					
20 500					
24 600					



JV



For more details, please refer to the drawing.

Specifications

20K CAST STAINLESS STEEL GATE VALVE FLANGED ENDS

End to End : ASME B16.10 CLASS 300, End Connection : JIS B2220

20K, Wall Thickness : ASME B16.34 CLASS 300, Test Standard : KITZ

STANDARD, Sizes : 21/2-inch(65-mm), Approvals: (一社) 日本バルブ工

業会規格適合品 65-600 mm (21/2-24 inch), KITZ Fig : 20UMAM

Pressure-temperature ratings and other performance data published in this catalog have been developed from our design calculation, in-house testing, field reports provided by our customers and/or published official standards or specifications. They are good only to cover typical applications as a general guideline to users of KITZ products introduced in this catalog. For any specific application, users are kindly requested to contact KITZ Corporation for technical advice, or to carry out their own study and evaluation for proving suitability of these products to such an application. Failure to follow this request could result in property damage and/or personal injury, for which we shall not be liable. Read instruction manual carefully before use.

KITZ

KITZ CORPORATION 1-10-1 Nakase, Mihama-ku, Chiba 261-8577, Japan
© KITZ Corporation. All Right Reserved.

ISO 9001
CERTIFIED
Since 1989

●Aシリーズ・HAシリーズ・AJシリーズ(JIS B 2220-2004) 単位:MPa

呼び圧力	10K				20K			
	SCS13A	SCS14A	SCS16A	SCS19A	SCS13A	SCS14A	SCS16A	SCS19A
使用温度(°C)								
~120	1.4	1.4	1.4	1.4	3.4	3.4	3.4	3.4
220	1.2	1.2	1.2	1.2	3.1	3.1	3.1	3.1
300	1.0	1.0	1.0	1.0	2.9	2.9	2.9	2.9
350	—	—	—	—	2.6	2.6	2.6	2.6
400	—	—	—	—	2.3	2.3	2.3	2.3
420	—	—	—	—	2.0	2.0	2.0	2.0

注意

- ガスケットおよびパッキン材料によって最高使用温度は変わります。上表に示しています材料ごとの最高使用温度をご確認ください。
- AJシリーズはジャケットの最高使用温度/圧力は260℃/1.0MPaです。これ以上での使用の場合はお問合せください。

Pressure-temperature ratings and other performance data published in this catalog have been developed from our design calculation, in-house testing, field reports provided by our customers and/or published official standards or specifications. They are good only to cover typical applications as a general guideline to users of KITZ products introduced in this catalog. For any specific application, users are kindly requested to contact KITZ Corporation for technical advice, or to carry out their own study and evaluation for proving suitability of these products to such an application. Failure to follow this request could result in property damage and/or personal injury, for which we shall not be liable. Read instruction manual carefully before use.

KITZ

KITZ CORPORATION 1-10-1 Nakase, Mihama-ku, Chiba 261-8577, Japan
© KITZ Corporation. All Right Reserved.

ISO 9001
CERTIFIED
Since 1989