

20K CAST STAINLESS STEEL, GLOBE VALVES

KITZ Fig: 20UPAM

Sizes: 21/2-inch(65-mm)

BOLTED BONNET, OUTSIDE SCREW & YOKE, FLANGED ENDS.

Standards

- End to End: ASME B16.10 CLASS 300
- End Connection: JIS B2220 20K
- Wall Thickness: ASME B16.34 CLASS 300

Test Standard

- KITZ STANDARD

Approvals

(一社) 日本バルブ工業会規格適合品, 公共建築工事標準仕様書適合品
(機械設備工事編) 65-150 mm (21/2-6 inch)

approved

Dimensions

| SIZE(inch/mm) | L | L1 | H | D1 | Kg |
|---------------|-------|----|-------|-------|----|
| 21/2 65 | 292.0 | | 295.0 | 200.0 | |
| 3 80 | 318.0 | | 341.0 | 250.0 | |
| 4 100 | 356.0 | | 396.0 | 300.0 | |
| 5 125 | 400.0 | | 492.0 | 350.0 | |
| 6 150 | 444.0 | | 563.0 | 400.0 | |
| | | | | | |
| | | | | | |
| | | | | | |
| | | | | | |

Material List

| NAME OF PART | MATERIAL | SPECIFICATION |
|--------------|-----------------|----------------------|
| BODY | STAINLESS STEEL | A351 Gr. CF8M/SCS14A |
| BONNET | STAINLESS STEEL | A351 Gr. CF8M/SCS14A |
| STEM | STAINLESS STEEL | 316SS |
| DISC | STAINLESS STEEL | A351 Gr. CF8M/SCS14A |

Specifications

20K CAST STAINLESS STEEL, GLOBE VALVES, BOLTED BONNET, OUTSIDE SCREW & YOKE, FLANGED ENDS.

End to End : ASME B16.10 CLASS 300, End Connection : JIS B2220

20K, Wall Thickness : ASME B16.34 CLASS 300, Test Standard : KITZ STANDARD, Sizes : 21/2-inch(65-mm), Approvals : (一社) 日本バルブ工業会規格適合品, 公共建築工事標準仕様書適合品 (機械設備工事編)

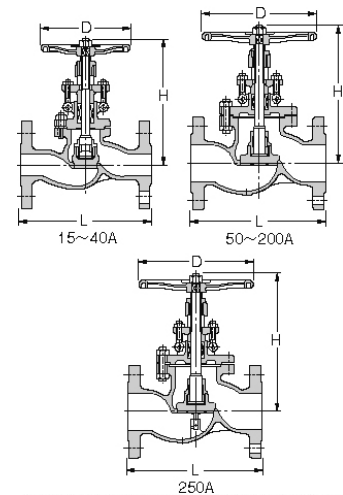
65-150 mm (21/2-6 inch), BODY MATERIAL : STAINLESS

STEEL, BONNET MATERIAL : STAINLESS STEEL, STEM MATERIAL : STAINLESS

STEEL, DISC MATERIAL : STAINLESS STEEL, KITZ Fig : 20UPAM



国士 JV



For more details, please refer to the drawing.

Pressure-temperature ratings and other performance data published in this catalog have been developed from our design calculation, in-house testing, field reports provided by our customers and/or published official standards or specifications. They are good only to cover typical applications as a general guideline to users of KITZ products introduced in this catalog. For any specific application, users are kindly requested to contact KITZ Corporation for technical advice, or to carry out their own study and evaluation for proving suitability of these products to such an application. Failure to follow this request could result in property damage and/or personal injury, for which we shall not be liable. Read instruction manual carefully before use.

KITZ

KITZ CORPORATION 1-10-1 Nakase, Mihama-ku, Chiba 261-8577, Japan
© KITZ Corporation. All Right Reserved.

ISO 9001
CERTIFIED
Since 1989

●Aシリーズ・HAシリーズ・AJシリーズ(JIS B 2220-2004) 単位:MPa

| 呼び圧力 | 10K | | | | 20K | | | |
|----------|--------|--------|--------|--------|--------|--------|--------|--------|
| | SCS13A | SCS14A | SCS16A | SCS19A | SCS13A | SCS14A | SCS16A | SCS19A |
| 使用温度(°C) | | | | | | | | |
| ~120 | 1.4 | 1.4 | 1.4 | 1.4 | 3.4 | 3.4 | 3.4 | 3.4 |
| 220 | 1.2 | 1.2 | 1.2 | 1.2 | 3.1 | 3.1 | 3.1 | 3.1 |
| 300 | 1.0 | 1.0 | 1.0 | 1.0 | 2.9 | 2.9 | 2.9 | 2.9 |
| 350 | — | — | — | — | 2.6 | 2.6 | 2.6 | 2.6 |
| 400 | — | — | — | — | 2.3 | 2.3 | 2.3 | 2.3 |
| 420 | — | — | — | — | 2.0 | 2.0 | 2.0 | 2.0 |

注意

- ガスケットおよびパッキン材料によって最高使用温度は変わります。上表に示しています材料ごとの最高使用温度をご確認ください。
- AJシリーズはジャケットの最高使用温度/圧力は260°C/1.0MPaです。これ以上での使用の場合はお問合せください。

Pressure-temperature ratings and other performance data published in this catalog have been developed from our design calculation, in-house testing, field reports provided by our customers and/or published official standards or specifications. They are good only to cover typical applications as a general guideline to users of KITZ products introduced in this catalog. For any specific application, users are kindly requested to contact KITZ Corporation for technical advice, or to carry out their own study and evaluation for proving suitability of these products to such an application. Failure to follow this request could result in property damage and/or personal injury, for which we shall not be liable. Read instruction manual carefully before use.

KITZ

KITZ CORPORATION 1-10-1 Nakase, Mihama-ku, Chiba 261-8577, Japan
© KITZ Corporation. All Right Reserved.

ISO 9001
CERTIFIED
Since 1989