

CLASS 300 CAST STAINLESS STEEL SWING CHECK VALVE FLANGED ENDS

KITZ Fig: 300UOA

Sizes: 2 1/2-inch(65-mm)

Standards

- End to End: ASME B16.10 CLASS 300
- End Connection: ASME B16.5 CLASS 300
- Wall Thickness: ASME B16.34 CLASS 300

Test Standard

- API 598

Dimensions

SIZE (inch/mm)	L	L1	H	D1	Kg
2 1/2 65	292.0		163.0		
3 80	318.0		178.0		
4 100	356.0		201.0		
5 125	400.0		231.0		
6 150	444.0		259.0		
8 200	533.0		292.0		
10 250	622.0		356.0		
12 300	711.0		373.0		
14 350					
16 400					
18 450					

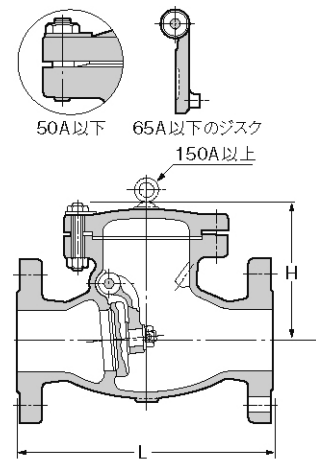
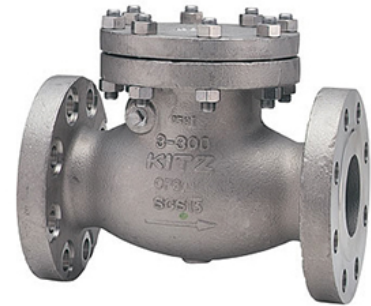
Specifications

CLASS 300 CAST STAINLESS STEEL SWING CHECK VALVE FLANGED ENDS

End to End : ASME B16.10 CLASS 300, End Connection : ASME B16.5

CLASS 300, Wall Thickness : ASME B16.34 CLASS 300, Test Standard :

API 598, Sizes : 2 1/2-inch(65-mm),, KITZ Fig : 300UOA



For more details, please refer to the drawing.

Pressure-temperature ratings and other performance data published in this catalog have been developed from our design calculation, in-house testing, field reports provided by our customers and/or published official standards or specifications. They are good only to cover typical applications as a general guideline to users of KITZ products introduced in this catalog. For any specific application, users are kindly requested to contact KITZ Corporation for technical advice, or to carry out their own study and evaluation for proving suitability of these products to such an application. Failure to follow this request could result in property damage and/or personal injury, for which we shall not be liable. Read instruction manual carefully before use.

KITZ

KITZ CORPORATION 1-10-1 Nakase, Mihama-ku, Chiba 261-8577, Japan
© KITZ Corporation. All Right Reserved.

ISO 9001
CERTIFIED
Since 1989