

CLASS 125 FORGED BRASS, GATE VALVES

KITZ Fig: CFH

Sizes: 21/2-inch(65-mm)

SOLDER-JOINT ENDS, SCREWED BONNET, INSIDE SCREW, NON RISING STEM.

Standards

. End to End: KITZ STANDARD

. End Connection: JIS B2011

. Wall Thickness: KITZ STANDARD

Test Standard

. KITZ STANDARD

Conform to

鉛の浸出性能基準相当品（自社確認） 65-80 mm (21/2-3 inch)
approved

Dimensions

SIZE (inch/mm)	L	L1	H	D1	Kg
21/2 65	115.0		187.0	100.0	
3 80	127.0		205.0	115.0	

Material List

NAME OF PART	MATERIAL	SPECIFICATION
BODY	FORGED BRASS	C3771
BONNET	FORGED BRASS	C3771
STEM	BRASS	C3531 (2)
DISC	FORGED BRASS	C3771

Specifications

CLASS 125 FORGED BRASS, GATE VALVES, SOLDER-JOINT ENDS, SCREWED BONNET, INSIDE SCREW, NON RISING STEM.

End to End : KITZ STANDARD, End Connection : JIS B2011, Wall

Thickness : KITZ STANDARD, Test Standard : KITZ STANDARD, Sizes :

21/2-inch(65-mm), Conform to : 鉛の浸出性能基準相当品（自社確認）

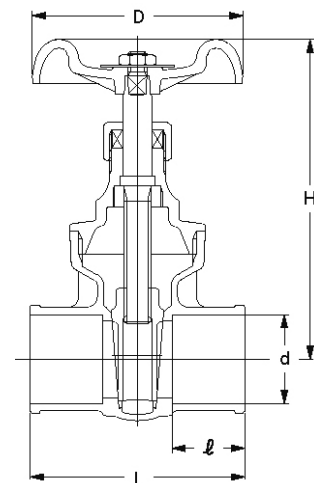
65-80 mm (21/2-3 inch), BODY MATERIAL : FORGED BRASS, BONNET MATERIAL

: FORGED BRASS, STEM MATERIAL : BRASS, DISC MATERIAL : FORGED BRASS, KITZ

Fig : CFH



水



For more details, please refer to the drawing.

Pressure-temperature ratings and other performance data published in this catalog have been developed from our design calculation, in-house testing, field reports provided by our customers and/or published official standards or specifications. They are good only to cover typical applications as a general guideline to users of KITZ products introduced in this catalog. For any specific application, users are kindly requested to contact KITZ Corporation for technical advice, or to carry out their own study and evaluation for proving suitability of these products to such an application. Failure to follow this request could result in property damage and/or personal injury, for which we shall not be liable. Read instruction manual carefully before use.

KITZ

KITZ CORPORATION 1-10-1 Nakase, Mihama-ku, Chiba 261-8577, Japan
© KITZ Corporation. All Right Reserved.

ISO 9001
CERTIFIED
Since 1989