

## CLASS 150 CAST STEEL, GLOBE VALVES

### KITZ Fig: G-150SCJS

Sizes: 8-18inch(200-450mm)

BOLTED BONNET, OUTSIDE SCREW & YOKE, FLANGED ENDS.

#### Standards

- End to End: ASME B16.10 CLASS 150
- End Connection: ASME B16.5 CLASS 150 (4)
- Wall Thickness: API 600 CLASS 150

#### Test Standard

- API 598

#### Dimensions

SIZE (inch/mm)	L	L1	H	D1	Kg
8 200	495.0		929.0	500.0	
10 250	622.0		975.0	500.0	
12 300	698.0		1049.0	500.0	
14 350	787.0		1106.0	500.0	
16 400	914.0		1224.0	600.0	
18 450					

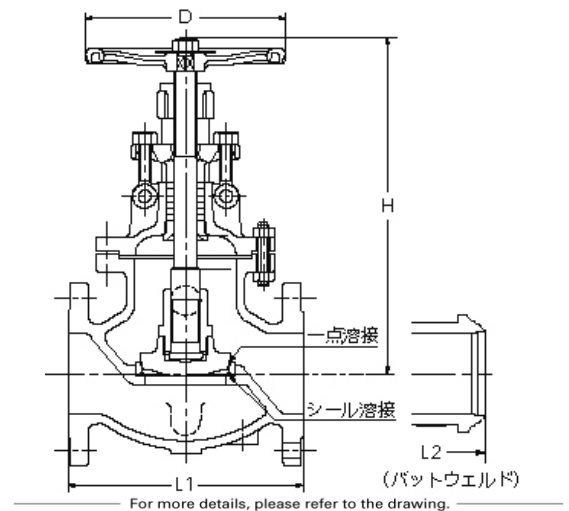
#### Material List

NAME OF PART	MATERIAL	SPECIFICATION
BODY	CAST STEEL	A216 Gr. WCB/SCPH2
BONNET	CAST STEEL	A216 Gr. WCB/SCPH2
STEM	STAINLESS STEEL	403SS
DISC	CARBON STEEL+OVERLAY	A105+13Cr

#### Specifications

CLASS 150 CAST STEEL, GLOBE VALVES, BOLTED BONNET, OUTSIDE SCREW & YOKE, FLANGED ENDS.

End to End : ASME B16.10 CLASS 150, End Connection : ASME B16.5 CLASS 150 (4), Wall Thickness : API 600 CLASS 150, Test Standard : API 598, Sizes : 8-18inch(200-450mm), BODY MATERIAL : CAST STEEL, BONNET MATERIAL : CAST STEEL, STEM MATERIAL : STAINLESS STEEL, DISC MATERIAL : CARBON STEEL+OVERLAY, KITZ Fig : G-150SCJS



Pressure-temperature ratings and other performance data published in this catalog have been developed from our design calculation, in-house testing, field reports provided by our customers and/or published official standards or specifications. They are good only to cover typical applications as a general guideline to users of KITZ products introduced in this catalog. For any specific application, users are kindly requested to contact KITZ Corporation for technical advice, or to carry out their own study and evaluation for proving suitability of these products to such an application. Failure to follow this request could result in property damage and/or personal injury, for which we shall not be liable. Read instruction manual carefully before use.

# KITZ

KITZ CORPORATION 1-10-1 Nakase, Mihama-ku, Chiba 261-8577, Japan  
© KITZ Corporation. All Right Reserved.

ISO 9001  
CERTIFIED  
Since 1989