

## 10K CAST STAINLESS STEEL, GLOBE VALVES

KITZ Fig: UCB

Sizes: -inch(-mm)

SCREWED BONNET, INSIDE SCREW, FLANGED ENDS.

Standards

- . End to End: KITZ STANDARD
  - . End Connection: JIS B2220 10K
  - . Wall Thickness: KITZ STANDARD
- Test Standard
- . KITZ STANDARD

Dimensions

SIZE (inch/mm)	L	L1	H	D1	Kg

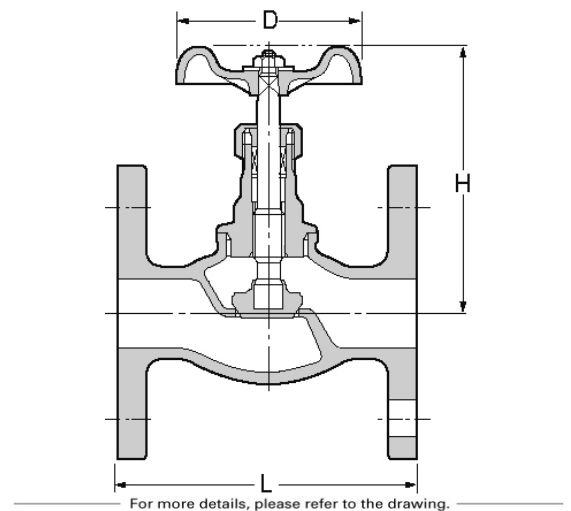
Material List

NAME OF PART	MATERIAL	SPECIFICATION
BODY	STAINLESS STEEL	A351 Gr. CF8/SCS13A
BONNET	STAINLESS STEEL	A351 Gr. CF8/SCS13A
STEM	STAINLESS STEEL	304SS(4)
DISC	STAINLESS STEEL	304SS

Specifications

10K CAST STAINLESS STEEL, GLOBE VALVES, SCREWED BONNET, INSIDE SCREW, FLANGED ENDS.

End to End : KITZ STANDARD, End Connection : JIS B2220 10K, Wall Thickness : KITZ STANDARD, Test Standard : KITZ STANDARD, Sizes : - inch(-mm), BODY MATERIAL : STAINLESS STEEL, BONNET MATERIAL : STAINLESS STEEL, STEM MATERIAL : STAINLESS STEEL, DISC MATERIAL : STAINLESS STEEL, KITZ Fig : UCB



### ●Bシリーズ

流体の性状 呼び圧力	単位 MPa		
	W	G <sub>1</sub>	G <sub>2</sub>
温度	120℃以下	150℃以下	180℃
5K	0.7	0.5	—
10K	1.4	1.1	1.0
20K	2.0	1.2	1.0

【備考】 W: 圧力変動の少ない静流水のみ。  
G<sub>1</sub>~G<sub>2</sub>: 蒸気、空気、不燃性ガス、油 (潤滑油・作動油) など。  
注) BシリーズPTFEジス入グローブバルブを120℃以上で使用する場合は、当社までお問合せください。

Pressure-temperature ratings and other performance data published in this catalog have been developed from our design calculation, in-house testing, field reports provided by our customers and/or published official standards or specifications. They are good only to cover typical applications as a general guideline to users of KITZ products introduced in this catalog. For any specific application, users are kindly requested to contact KITZ Corporation for technical advice, or to carry out their own study and evaluation for proving suitability of these products to such an application. Failure to follow this request could result in property damage and/or personal injury, for which we shall not be liable. Read instruction manual carefully before use.

# KITZ

KITZ CORPORATION 1-10-1 Nakase, Mihama-ku, Chiba 261-8577, Japan  
© KITZ Corporation. All Right Reserved.

ISO 9001  
CERTIFIED  
Since 1989